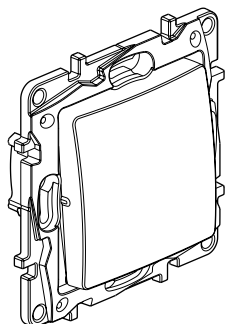


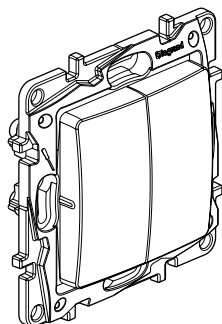
**Niloé™ - Switch or two-way switch**  
**Double two-way switch with or without indicator**  
**Triple switch - Intermediate switch - Pushbutton**  
**Multifunction controls**  
**Roller blind and ventilation switch controls**

Catalogue number(s): 664 301/503

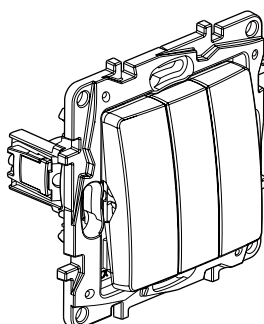
664 701/702/704/705/708/709/710/711/713  
 664 714/715/791  
 664 801/802/805/808/809/810/811/813/814  
 664 891



664 701/704/705/713  
664 801/805/813



664 702/708/709  
664 802/808/809



664 503

**CONTENTS**

Pages

1. Use.....	1
2. Range.....	1-2
3. Positioning.....	2
4. Overall dimensions.....	2
5. Connection.....	2
6. Technical features.....	3
7. Maintenance.....	3
8. Accessories.....	3
9. Standards and approvals....	3

**1. USE**

The mechanisms are supplied with cover plates and supports. To be fitted with one-gang or multi-gang plates, colour: white or ivory. Mechanisms flush-mounted or surface-mounted. The mechanisms are supplied with site protective covers. Fixed using screws or clips (see clip accessory). Switches or two-way switches, and intermediate switches: 10 AX - 250 V~. NO-NC pushbutton: 6 A - 250 V~.

**2. RANGE**

**10 AX switches and two-way switches - 250 V~**

	Description	Colour		Function	Connection
		White RAL 903	Ivory RAL 113		
	Switch or two-way switch	664 301 664 701	664 801	3 terminals, either switch function or two-way switch	Auto terminals
	Double two-way switch	664 702	664 802	2 x 3 terminals, either switch function or two-way switch	
	Two-way switch with indicator	664 710	664 810	Becomes illuminated with lamps Cat. No. 665 090 or Cat. No. 665 092 and monitor with lamp Cat. No. 665 091	
	Triple switch	664 503		3 x 1-gang switches with fixing claws	
	Intermediate switch	664 704		Enables a third control point to be added in a two-way switch installation	

**Multifunction controls**

	Description	Colour		Function	Connection
		White	Ivory		
	Switch	664 713	664 813	Supplied in pushbutton mode with wide rocker plate fitted. Possible configurations: pushbutton, two-way switch, double pushbutton, double two-way switch, pushbutton + two-way switch, two-way switch + pushbutton (supplied with 2 half rocker plates for combined functions).	Auto terminals
	Double illuminated	664 714	664 814	Supplied in double pushbutton mode. Can be converted to double illuminated two-way switch. Possible configurations: double illuminated pushbutton, double illuminated two-way switch, double two-way switch (supplied with 2 lamps for illuminated functions Cat. No. 665 090).	

**Niloé™ - Switch or two-way switch**  
**Double two-way switch with or without indicator**  
**Triple switch - Intermediate switch - Pushbutton**  
**Multifunction controls**  
**Roller blind and ventilation switch controls**

Catalogue number(s): 664 301/503

664 701/702/704/705/708/709/710/711/713


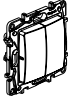
664 714/715/791

664 801/802/805/808/809/810/811/813/814


664 891

**2. RANGE** (continued)



**NO-NC pushbuttons - 6 A - 250 V~**

	Description	Colour		Function	Connection
		White	Ivory		
	Switch	664 705	664 805	6 A NO-NC contact	Auto terminals
	Pushbutton with label-holder	664 715		Supplied with indicator light Cat. No. 665 090 and label with "doorbell", "padlock" and "bulb" pictogram	
	Double	664 708	664 808	2 contact blocks: 6 A NO-NC	

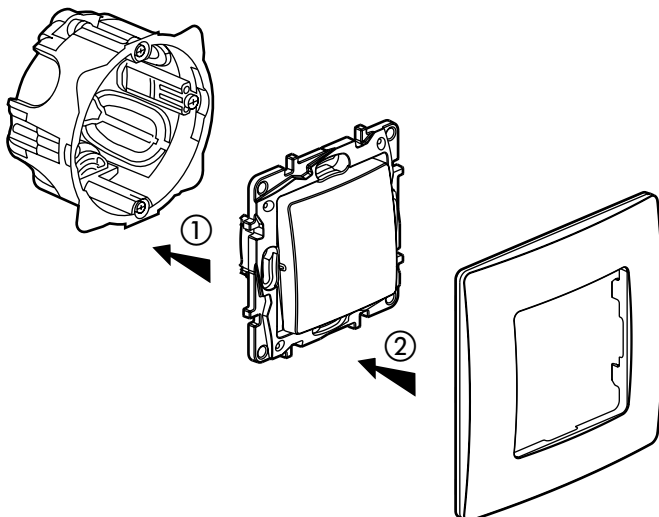
**10 AX two-way switch + 6 A NO-NC pushbutton - 250 V~**

	Description	Colour		Function	Connection
		White	Ivory		
	Two-way switch + pushbutton	664 709	664 809	Either single switch, or two-way switch and pushbutton	Auto terminals

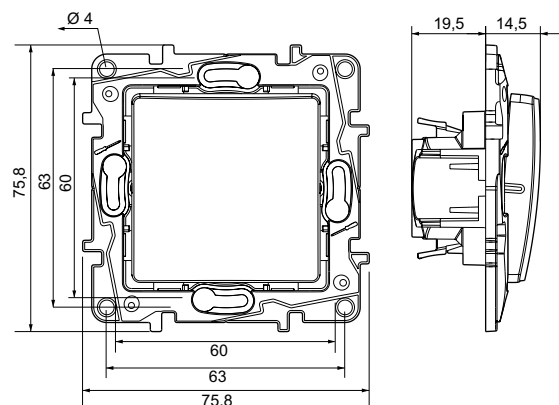
**6 AX roller blind and 10 AX ventilation - 250 V~**

	Roller blind switch	664 711	664 811	3-position switch Raise - Stop - Lower for direct motor control	Screw terminals
	Ventilation control	664 791	664 891	2-position switch Low or high speed for direct control of a centralised mechanical ventilation system	Auto terminals

**3. POSITIONING**



**4. OVERALL DIMENSIONS**



**5. CONNECTION**

The control functions have automatic terminals, except for the roller blind/intermediate switch and 3-gang switch functions, which have screw connections.

The automatic terminal release keys are grey (RAL 735).

Stripping length: 13 mm

Compatible with flexible or rigid cables.

Cable entries for the phase marked with red colour code.

**Niloé™ - Switch or two-way switch**  
**Double two-way switch with or without indicator**  
**Triple switch - Intermediate switch - Pushbutton**  
**Multifunction controls**  
**Roller blind and ventilation switch controls**

Catalogue number(s): 664 301/503

664 701/702/704/705/708/709/710/711/713

664 714/715/791

664 801/802/805/808/809/810/811/813/814

664 891

## 6. TECHNICAL FEATURES

### 6.1 Mechanical features

IP: 21 D

IK: 04

### 6.2 Materials

Poly gloss appearance

Colour: White (RAL 903) and Ivory (RAL 113)

Material: - Plate ABS

- Rocker plate: ABS

- Halogen-free

Self-extinguishing: - 850°C/30 s for insulating parts holding live parts in place

- 650°C/30 s for other parts made of insulating materials

UV resistant

### 6.3 Electrical features

Voltage: 250 VAC

Current: - 10 AX for switch, two-way switch and intermediate switch

- 6 A for NO-NC pushbuttons

- 6 AX for roller blind switch

### 6.4 Climatic features

Storage and usage temperature: - 5°C to + 35°C

### 6.5 Features of the support

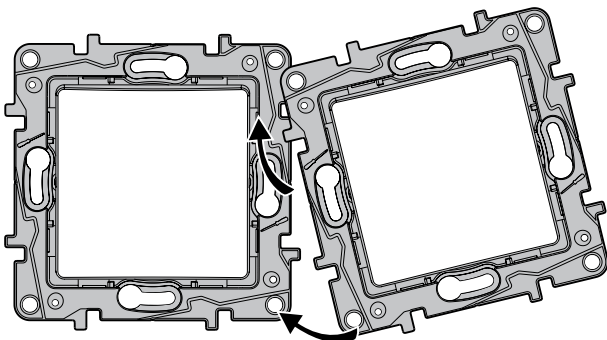
Material: Grey (RAL 737) halogen-free polycarbonate.

High impact resistance and torsional strength due to the thickness of the support.

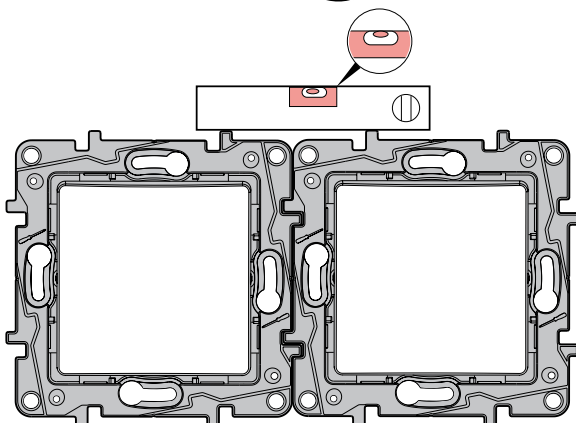
Easy guidance for positioning the mechanisms.

Horizontal or vertical alignment without lifting up the mechanisms too much

1



2



### 6.6 Features of the cover

Material: APET, polyester-based plate, very clear, highly resistant to impacts and chemical agents.

## 7. MAINTENANCE

Easy-clean (due to poly gloss surface).

## 8. ACCESSORIES

### Monitor and indicator lights

Connection by direct mounting

LED lamp

#### • 665 090

230 V indicator light

Consumption 0.15 mA

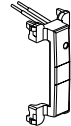
#### • 665 091

230 V monitor light

Consumption 3 mA

#### • 665 092

12 V - 24 V - 48 V indicator light



### Claw

"Rapido" claw

For fixing devices in refurbishment projects



## 9. STANDARDS AND APPROVALS

- CB certificate (pending)

- NF certificate (pending)

- BBJ, VDE, MEEI, GOST, TSE (planned)