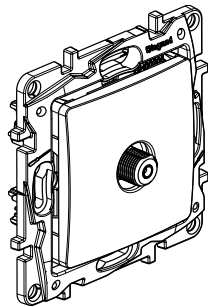
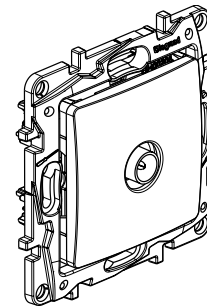


Niloé™
Single television sockets

Cat. No(s) : 6 645 50/51- 6 646 51-6 647 50/51
 6 648 50/51



6 645 50/6 647 50/6 648 50



6 645 51/6 646 51/6 647 51/6 648 51

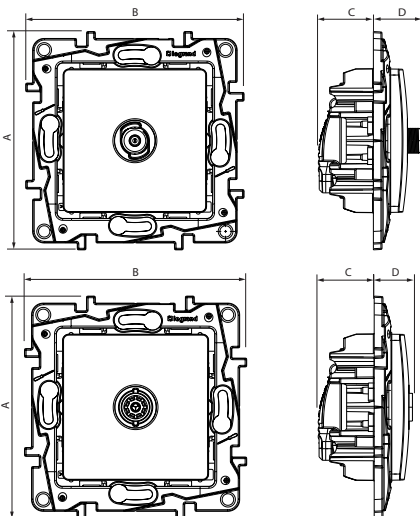
1. USE

Male TV socket \varnothing 9.52 mm and F type female TV socket screw-in connector
 Recommended cable 17/19 VATC
 Compatible with UHD terrestrial TV
 Shielded star (class A)
 0-2400 MHz

2. RANGE

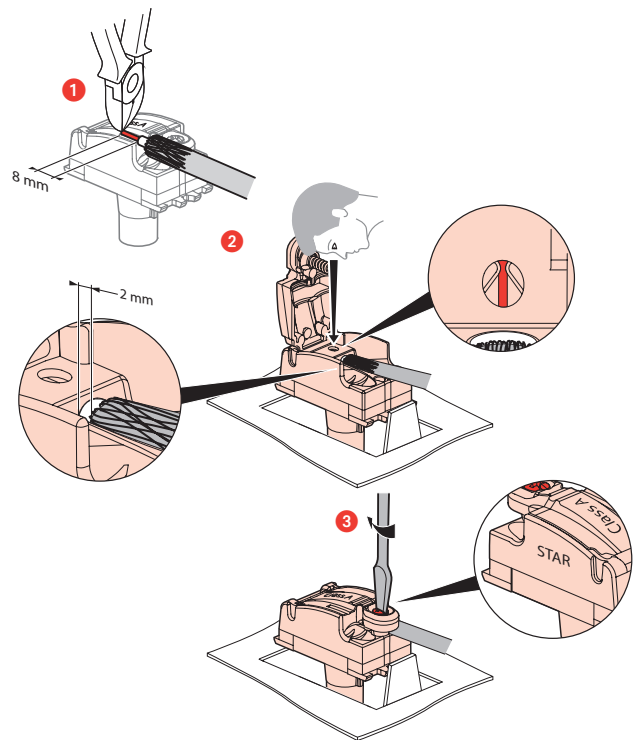
Cat. Nos.	Description	colour
6 645 50	Single F type female TV socket screw-in connector claws	Pur
6 647 50	Single F type female TV socket screw-in connector	Pur
6 648 50	Single F type female TV socket screw-in connector	Lin
6 645 51	Single male TV socket \varnothing 9.52 mm claws	Pur
6 646 51	Single male TV socket \varnothing 9.52 mm claws	Lin
6 647 51	Single male TV socket \varnothing 9.52 mm	Pur
6 648 51	Single male TV socket \varnothing 9.52 mm	Lin

3. DIMENSIONS (mm)

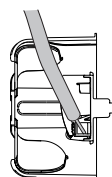
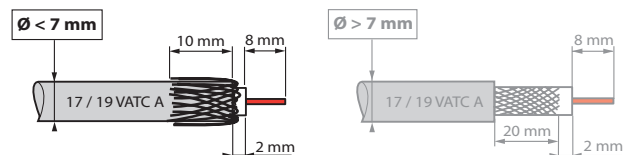


Cat. Nos.	A	B	C	D
6 645 50/6 647 50/6 648 50	75,8	75,8	19,1	16,6
6 645 51/6 646 51/6 647 51/6 648 51				13,1

4. CONNECTION



5. WIRING PRECAUTIONS



By restricting deformation of the coaxial cable, the rear connection avoids impedance discontinuity, thereby sustaining performance.

6. TECHNICAL CHARACTERISTICS

■ 6.1 Mechanical characteristics

Protection against solid bodies and liquids: IP 21
Protection against impacts: IK 04
Cable resistance 120 N: standard IEC 61169-24

■ 6.2 Material characteristics

Casing: Poly gloss appearance

Colour: - Pur
- Lin

Material: - Plate: ABS/PC
- Cover plate: ABS
- Halogen-free
- UV resistant

Motor: - Box: zamac
- Cover: zamac
- Pin: bronze
- Screws: steel

■ 6.3 Electrical characteristics

- Characteristic impedance: 75 Ohm
- Male connector Ø 9.52 mm
- F type female screw-in connector
- Class A shielding efficiency (class A shielding is necessary to prevent interference caused by using new 3 and 4 G phone signals, as these unwanted signals can result in pixellation on screen or adversely affect the sound track).
- Frequency bands: TV/SAT : 0 - 2400 MHz
- Attenuation: 1 dB maximum
- Insulation resistance: standard IEC 61169-24
- Compatible with remote power supply

■ 6.4 Climate characteristics

Storage and operating temperature: -5°C to +35°C

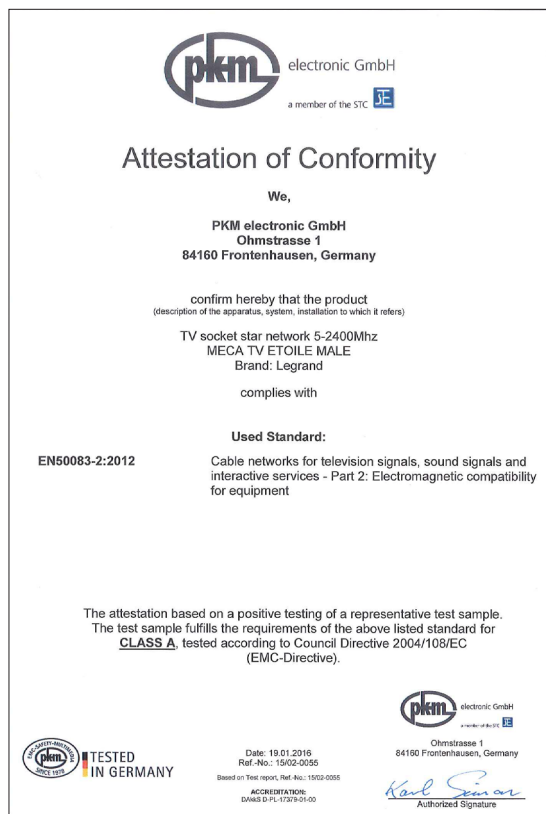
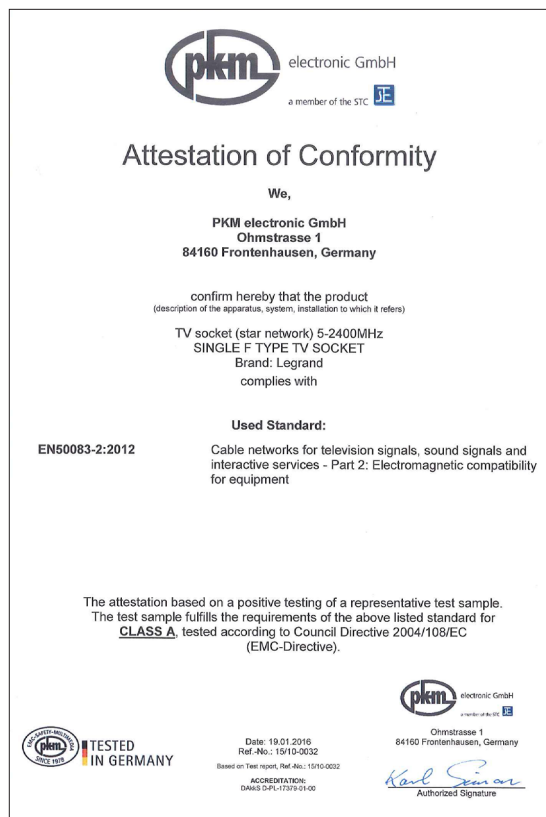
7. CARE

Clean the surface with a cloth.
Do not use acetone, tar-removing cleaning agents or trichloroethylene.
Resistant to the following products: Hexane (EN 60669-1), methylated spirit, soapy water, diluted ammonia, bleach diluted to 10%, window-cleaning products, pre-impregnated wipes.

Caution: Always test before using special cleaning products.

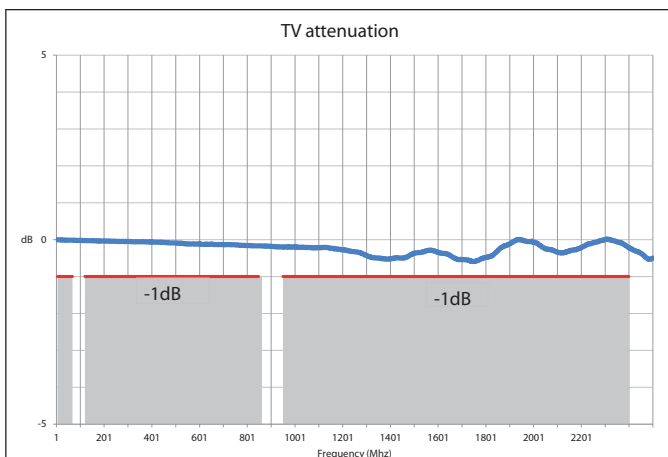
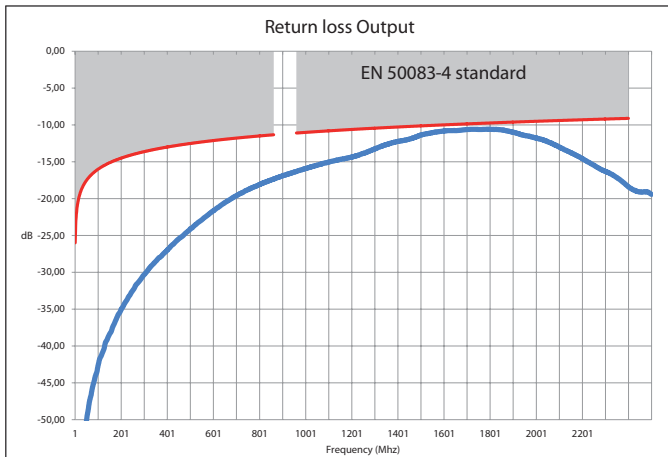
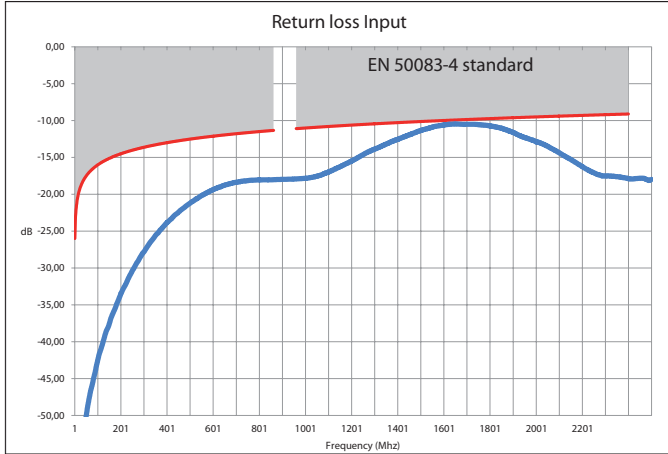
8. STANDARDS AND APPROVALS

- EN 50083-2
- EN 50083-4
- Class A certificate



9. PERFORMANCE

Single male TV socket



Single F type TV socket

