

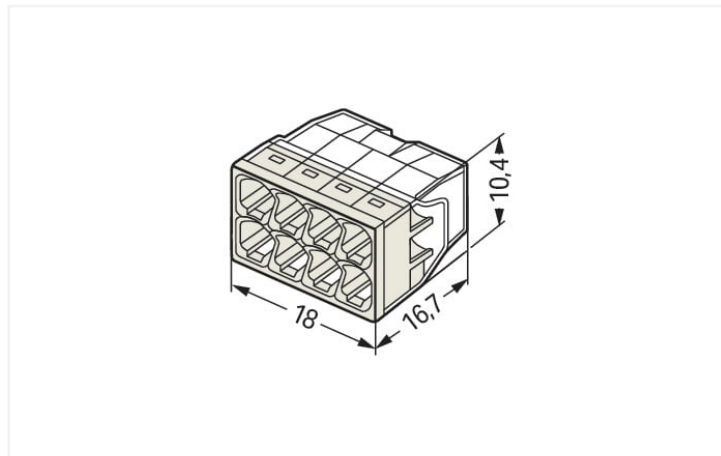
Data Sheet | Item Number: 2273-208

COMPACT splicing connector; for solid conductors; max. 2.5 mm²; 8-conductor;
transparent housing; light gray cover; Surrounding air temperature: max 60°C (T60);
2,50 mm²; transparent

<https://www.wago.com/2273-208>



Color: transparent



Dimensions in mm

Advantages:

- Convenient wiring via extremely compact design
- Push-in termination of up to eight solid conductors
- Cross-section range: 0.5 ... 2.5 mm²
- Any combination of conductor sizes is possible
- PUSH WIRE® connection terminates solid ("s") copper conductors

Notes

Safety information

in grounded power lines

Electrical data

Ratings per IEC/EN

| | |
|----------------------------|---|
| Ratings per | IEC/EN 60998 |
| Nominal voltage (II/2) | 450 V |
| Rated surge voltage (II/2) | 4 kV |
| Rated current | 24 A |
| Legend (ratings) | (II / 2) ≙ Overvoltage category II / Pollution degree 2 |

Ratings per UL 1059

| | |
|--------------------|---------|
| Approvals per | UL 486C |
| Rated voltage (UL) | 600 V |
| Rated current (UL) | 20 A |

Connection data

| | |
|----------------------------|---|
| Connection points | 8 |
| Total number of potentials | 1 |

Connection 1

| | |
|---------------------------------|--------------------|
| Connection technology | PUSH WIRE® |
| Actuation type | Push-in |
| Connectable conductor materials | Copper Aluminum |

Connection 1

Connectable conductor materials (note)

Terminating Aluminum Conductors

WAGO spring clamp terminal blocks are suitable for solid aluminum conductors up to 4 mm²/12 AWG if WAGO "Alu-Plus" Contact Paste [249-130](https://www.wago.com/249-130) is used for termination.

"Alu-Plus" Contact Paste Advantages:

- Automatically destroys the oxide film during clamping.
- Prevents fresh oxidation at the clamping point.
- Prevents electrolytic corrosion between aluminum and copper conductors (in the same terminal block).
- Provides long-term protection against corrosion.

For spring clamp connections with PUSH WIRE® connection technology, **WAGO recommends that the aluminum conductor first be cleaned** and then immediately inserted into the clamping unit filled with "Alu-Plus" contact paste.

It is also possible to apply WAGO "Alu-Plus" **additionally** on the whole surface of the aluminum conductor before termination.

Please note that the nominal currents must be adapted to the reduced conductivity of the aluminum conductors::

2.5 mm² = 16 A

4 mm² = 22 A

| | |
|------------------|---|
| Solid conductor | 0.5 ... 2.5 mm ² / 20 ... 16 AWG |
| Strip length | 11 mm / 0.43 inches |
| Wiring direction | Side-entry wiring |

Physical data

| | |
|--------|------------------------|
| Width | 18 mm / 0.709 inches |
| Height | 10.4 mm / 0.409 inches |
| Depth | 16.7 mm / 0.657 inches |

Material data

Note (material data)

[Information on material specifications can be found here](#)

| | |
|-----------------------------|-------------|
| Color | transparent |
| Cover color | light gray |
| Flammability class per UL94 | V2 |
| Fire load | 0.039 MJ |
| Weight | 2.2 g |

Environmental requirements

| | |
|----------------------------------|--------|
| Ambient temperature (operation) | +60 °C |
| Continuous operating temperature | 105 °C |
| Temperature marking per EN 60998 | T60 |

Commercial data

| | |
|-----------------------|---------------------|
| Product Group | 7 (Push Wire Conn.) |
| eCl@ss 10.0 | 27-14-11-04 |
| eCl@ss 9.0 | 27-14-11-04 |
| ETIM 8.0 | EC000446 |
| ETIM 7.0 | EC000446 |
| PU (SPU) | 500 (50) pcs |
| Packaging type | Box |
| Country of origin | DE |
| GTIN | 4050821027881 |
| Customs tariff number | 85369010000 |

Environmental Product Compliance

| | |
|------------------------|-------------------------|
| RoHS Compliance Status | Compliant, No Exemption |
|------------------------|-------------------------|

Approvals / Certificates

General approvals



| Approval | Standard | Certificate Name |
|---|----------|------------------|
| cULus_Listed_667F Underwriters Laboratories Inc. | UL 486C | E69654 |
| VDE VDE Prüf- und Zertifizierungsinstitut | EN 60998 | 40029794 |

Declarations of conformity and manufacturer's declarations

| Approval | Standard | Certificate Name |
|--|----------|------------------|
| EU-Declaration of Conformity WAGO GmbH & Co. KG | - | - |
| UK-Declaration of Conformity WAGO GmbH & Co. KG | - | - |

Approvals for marine applications



| Approval | Standard | Certificate Name |
|--|----------|------------------|
| ABS American Bureau of Shipping | - | 15-HG1419918-PDA |
| DNV GL Det Norske Veritas, Germanischer Lloyd | EN 60998 | TAE000015T |
| LR Lloyds Register | EN 60998 | LR22207029TA |




Downloads

Environmental Product Compliance

Compliance Search

Environmental Product Compliance 2273-208 

Documentation

| Bid Text | | | |
|-----------------------------|------------|-----------------|---|
| 2273-208 | 19.02.2019 | xml 3.18 KB |  |
| 2273-208 | 17.05.2017 | doc 24.50 KB |  |
| ausschreiben.de 2273-208 | | |  |


CAD/CAE-Data

CAD data

2D/3D Models
2273-208 

CAE data

EPLAN Data Portal
2273-208 

WSCAD Universe
2273-208 

ZUKEN Portal
2273-208 

1 Compatible Products

1.1 Optional Accessories

1.1.1 General accessories

1.1.1.1 Moisture protection



Item No.: 207-1331
Gelbox; Branch; for cables; with gel; 221, 2x73 Series; max. 4 mm² connectors; without splicing connectors; Size 1; gray

Item No.: 207-1332
Gelbox; Branch; for cables; with gel; 221, 2x73 Series; max. 4 mm² connectors; without splicing connectors; Size 2; gray

Item No.: 207-1333
Gelbox; Branch; for cables; with gel; 221, 2x73 Series; max. 4 mm² connectors; without splicing connectors; Size 3; gray

1.1.2 Mounting adapter

1.1.2.1 Mounting accessories



Item No.: 2273-500
Mounting carrier; for single- and double-row con.; 2273 Series; for DIN-35 rail mounting/screw mounting; orange

1.1.3 Tool

1.1.3.1 "Alu-Plus" contact paste



Item No.: 249-130

Syringe; Contents: 20 ml Alu-Plus contact paste

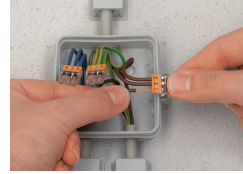
Installation Notes

Conductor termination



Strip solid conductor to 11 mm/0.43 inch (see marking).

The transparent housing shows if conductors are fully inserted; within the colored base, a clear port shows if the conductor's strip length is correct. Conductors are correctly stripped if the clear port shows no bare conductor on the unprinted connector side. Picture shows center conductor with exceeded strip length.



Termination: Insert the stripped solid conductor until it hits the backstop.



Removal: Hold conductor to be removed and twist alternately left and right while pulling the connector.

Testing



Testing via test port opposite to conductor entry.