

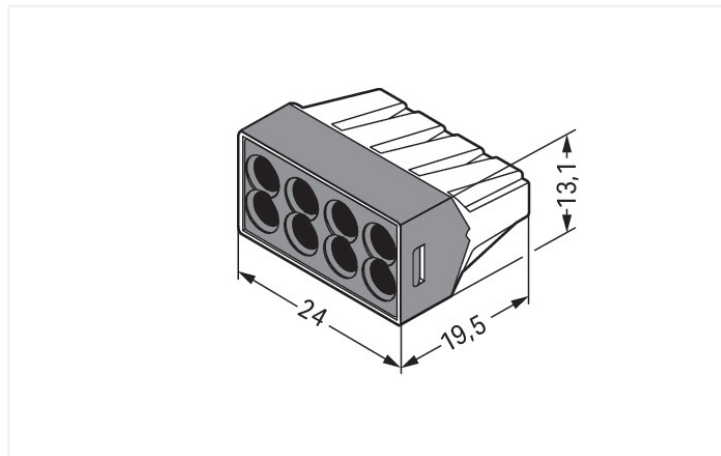
## Data Sheet | Item Number: 773-108

PUSH WIRE® connector for junction boxes; for solid and stranded conductors; max. 2.5 mm<sup>2</sup>; 8-conductor; transparent housing; dark gray cover; Surrounding air temperature: max 60°C; 2,50 mm<sup>2</sup>; multicoloured

<https://www.wago.com/773-108>



Color:  multicoloured



Dimensions in mm

### Notes

Safety information

in grounded power lines

### Electrical data

#### Ratings per IEC/EN

Ratings per	IEC/EN 60664-1
Nominal voltage (II/2)	400 V
Rated surge voltage (II/2)	4 kV
Rated current	24 A
Legend (ratings)	(II / 2) $\triangleq$ Overvoltage category II / Pollution degree 2

### Connection data

Connection points	8
Total number of potentials	1

#### Connection 1

Connection technology	PUSH WIRE®
Actuation type	Push-in
Connectable conductor materials	Copper Aluminum

## Connection 1

Connectable conductor materials (note)

### Terminating Aluminum Conductors

WAGO spring clamp terminal blocks are suitable for solid aluminum conductors up to 4 mm<sup>2</sup>/12 AWG if WAGO "Alu-Plus" Contact Paste [249-130](https://www.wago.com/249-130) is used for termination.

"Alu-Plus" Contact Paste Advantages:

- Automatically destroys the oxide film during clamping.
- Prevents fresh oxidation at the clamping point.
- Prevents electrolytic corrosion between aluminum and copper conductors (in the same terminal block).
- Provides long-term protection against corrosion.

For spring clamp connections with PUSH WIRE® connection technology, **WAGO recommends that the aluminum conductor first be cleaned** and then immediately inserted into the clamping unit filled with "Alu-Plus" contact paste.

It is also possible to apply WAGO "Alu-Plus" **additionally** on the whole surface of the aluminum conductor before termination.

Please note that the nominal currents must be adapted to the reduced conductivity of the aluminum conductors::

2.5 mm<sup>2</sup> = 16 A

4 mm<sup>2</sup> = 22 A

Solid conductor	0.75 ... 2.5 mm <sup>2</sup> / 18 ... 12 AWG
Stranded conductor	1.5 ... 2.5 mm <sup>2</sup> / 16 ... 12 AWG
Note (conductor cross-section)	When using conductors of the same diameter, 0.75 mm <sup>2</sup> /18 AWG cross-section is also possible.
Strip length	12 mm / 0.47 inches
Wiring direction	Side-entry wiring

## Physical data

Width	24 mm / 0.945 inches
Height	13.1 mm / 0.516 inches
Depth	19.5 mm / 0.768 inches

## Material data

Note (material data)	<a href="#">Information on material specifications can be found here</a>
Color	multicoloured
Cover color	dark gray
Flammability class per UL94	V2
Fire load	0.098 MJ
Weight	4.6 g

### Environmental requirements

Ambient temperature (operation)	+60 °C
Continuous operating temperature	105 °C

### Commercial data

Product Group	7 (Push Wire Conn.)
eCl@ss 10.0	27-14-11-04
eCl@ss 9.0	27-14-11-04
ETIM 8.0	EC000446
ETIM 7.0	EC000446
PU (SPU)	500 (50) pcs
Packaging type	Box
Country of origin	CN
GTIN	4044918397735
Customs tariff number	85369010000

### Approvals / Certificates

#### General approvals



Approval	Standard	Certificate Name
CCA UL International Demko A/S	EN 60998	CCA-DK No. 2520
CSA DEKRA Certification B.V.	C22.2	15411 (LR46759)
KEMA/KEUR DEKRA Certification B.V.	EN 60998	71-101747
ÖVE Österreichischer Verband für Elektrotechnik	EN 60998	1193-031-09
UL UL International Germany GmbH	UL 486C	E69654
UL UL International Germany GmbH	EN 60998	D-03479-A1

#### Declarations of conformity and manufacturer's declarations

Approval	Standard	Certificate Name
EU-Declaration of Conformity WAGO GmbH & Co. KG	-	-
UK-Declaration of Conformity WAGO GmbH & Co. KG	-	-

### Approvals for marine applications



Approval	Standard	Certificate Name
ABS American Bureau of Shipping	-	18-HG1755093-PDA
BV Bureau Veritas S.A.	EN 60998	11914/D0 BV
DNV GL Det Norske Veritas, Germanischer Lloyd	EN 60998	TAE000015T
LR Lloyds Register	EN 60998	LR22207029TA

### Downloads

## Environmental Product Compliance

### Compliance Search

Environmental Product  
Compliance 773-108



## Documentation

### Additional Information

Technical Section

pdf  
2142.18 KB



## CAD/CAE-Data

### CAD data

2D/3D Models 773-108



### CAE data

EPLAN Data Portal  
773-108



WSCAD Universe  
773-108



ZUKEN Portal 773-108



## 1 Compatible Products

### 1.1 Optional Accessories

#### 1.1.1 Mounting adapter

##### 1.1.1.1 Mounting accessories



#### Item No.: 773-332

Mounting carrier; 773 Series - 2.5 mm<sup>2</sup> / 4 mm<sup>2</sup> / 6 mm<sup>2</sup>; for DIN-35 rail mounting/ screw mounting; orange

#### 1.1.2 Tool

##### 1.1.2.1 "Alu-Plus" contact paste



#### Item No.: 249-130

Syringe; Contents: 20 ml Alu-Plus contact paste

Subject to changes. Please also observe the further product documentation!

Current addresses can be found at: [www.wago.com](http://www.wago.com)