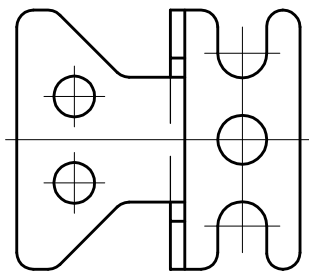


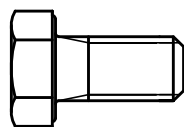


SZ  
2503.010

4 x



4 x



M8x16

4 x



M8

4 x

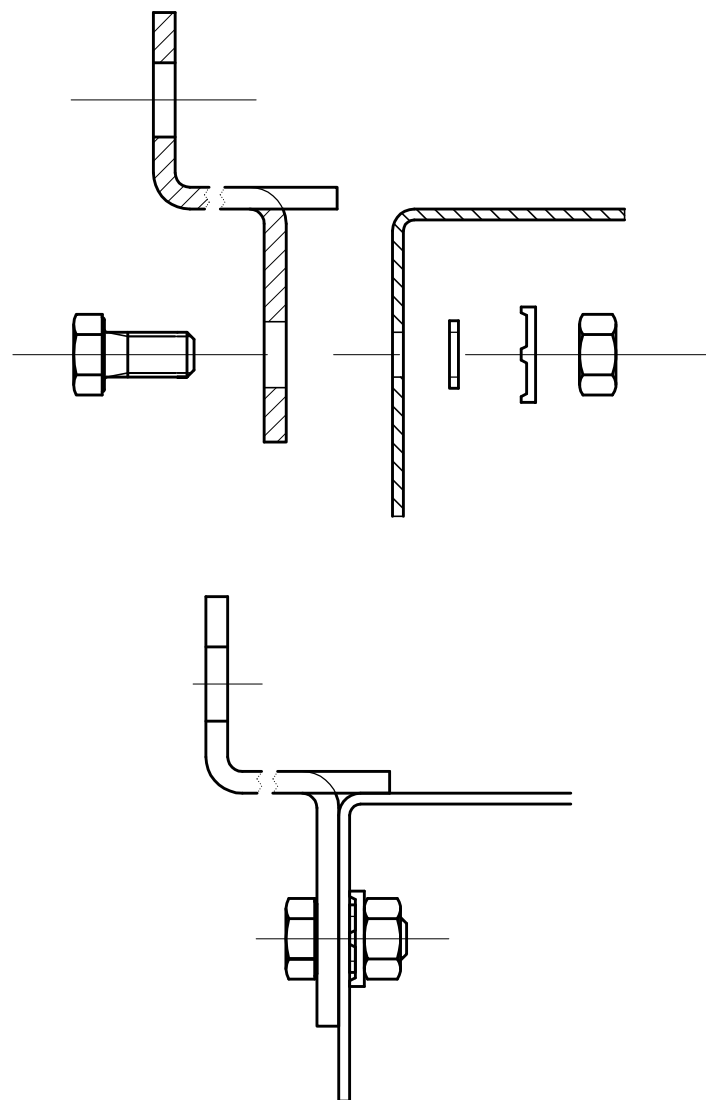


8.2x12

4 x



8.2x16



Zchnng.-Nr. / No. of dwg. : A3111601SZ

Versandbeutel-Nr. / No. of accessory bag : -

Lieferanten-Nr. / No. of supplier :