

# sofamel

Product Technical Specifications

## Mod. TGT142

Earthing rod clamp



### Functionality



Element for connecting the copper grounding cable to the grounding electrode (grounding rod).

### Product Features

The Clamp made of brass and steel (copper and zinc alloy) and yellow zinc surface treatment steel to connect rod to earth rod cable.

The rod diameter to use is 14,2mm and 14,6mm. It could be used with different cable sections.



### Certificates

Tested for corrosion resistance **according to point 8.2.4 of the UNE 202006:2019 standard.**

They comply with the provisions of **Directive 2014/35/EU** of the European Parliament and of the Council on the harmonization of the laws of the Member States relating to the placing on the market of electrical equipment designed for use within certain voltage limits.

Datos sujetos a cambios  
15 de mayo de 2023

© 2017 Sofamel SLU  
Todos los derechos reservados.

Versión: R2-7.2 COM01

Las especificaciones están sujetas a cambios sin previo aviso.

  
**sofamel**

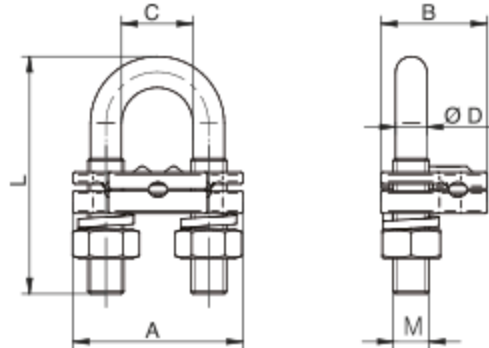
Thomas Alva Edison, 16-17 - Pol. Industrial Plans d'Arau - 08787 La Pobla de Claramunt (Barcelona) - Spain  
Tel. +34 93 808 79 80 - Info@sofamel.es  
[www.sofamel.com](http://www.sofamel.com)



# Mod. TGT142

## Earthing rod clamp

### Dimensions



Code	Ref.	Cable Section		Dimensions (mm)					
		Min.	Max.	A	B	C	ØD	L	M
TGT142	Earthing rod clamp GT 142	16	50	38	23,7	16	7	53	M8

\*For Ø14.2mm and Ø14.6mm sockets