

# Ensto Clampo Compact terminal blocks

For Cu conductors from 1.5 mm<sup>2</sup> to 35 mm<sup>2</sup>



## Ensto Clampo Compact terminal blocks in brief:

- For 1.5 – 16 mm<sup>2</sup> Cu conductors
- Used in controlling, instrumentation and automation applications
- Cost-effective solution
- Compact in size: ideal for installations with limited space available
- Include wire protection to prevent damage to fine wire strands, while also preventing wires from entering too deeply into the terminal
- Body of polyamide, heat resistance 105 °C
- Installation onto a DIN rail or directly onto surface
- Easy to mark, either by using marking tapes or printing directly onto the terminal body

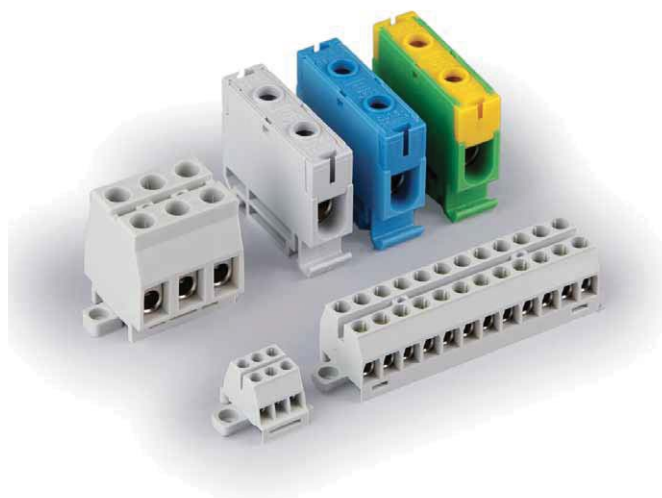
## KE33

- Series is completed with KE33 terminal for 35 mm<sup>2</sup> Cu conductors
- Used in controlling, instrumentation and automation applications

## Standards

Product code	Standard
<b>Terminal blocks</b>	
KR5031	EN 60947-7-1, UL 1059, CSA C22.2 No. 158-1987
KR5131	EN 60947-7-1, UL 1059, CSA C22.2 No. 158-1987
KR8031	EN 60947-7-1, UL 1059, CSA C22.2 No. 158-1987
KR8041	EN 60947-7-1, UL 1059, CSA C22.2 No. 158-1987
KR8121	EN 60947-7-1, UL 1059, CSA C22.2 No. 158-1987
KR10021	EN 60947-7-1, EN 60998-2-1, UL 1059, CSA C22.2 No. 158-1987
KR10031	EN 60947-7-1, EN 60998-2-1, UL 1059, CSA C22.2 No. 158-1987
<b>Terminal blocks KE33</b>	
KE33, KE33.20	EN 60947-7-1, UL 1059
KE33.30	EN 60947-7-2, UL 1059

Conformity	
Terminal blocks	CE RoHS FI RU S E PC
KE33	CE RoHS FI RU S E PC
Technical information	
Cross-section range:	Cu 1.5 mm <sup>2</sup> to 35 mm <sup>2</sup>
Nominal current range:	17.5 - 135 A
Nominal insulation voltage:	450 - 750 V
Material	
Housing:	Polyamide
Body:	Ni-coated brass
Mechanical features	
Screw head:	Slothead
Mounting:	Screws or DIN rail



Ensto Clampo Compact terminal blocks are a cost-effective and excellent solution for installations in which traditional versions require additional space.

Product cards with technical drawings can be found at [www.ensto.com](http://www.ensto.com).

# Ensto Clampo Compact terminal blocks

## Ensto Clampo Compact, terminal blocks

Product code	Conductor cross-section (mm <sup>2</sup> )	Number of poles	Nominal current (A)	Nominal insulation voltage (V)	Screw head slothead	Tightening torque (Nm)	Mounting	Weight (kg)	Package size (pcs)	EAN 13 code
KR5031	1.5 mm <sup>2</sup>	3	17,5 A	750 V (pollution degree 2)*	M2,6	0,4 Nm	DIN rail/screw	0,007	200	6418677111402
KR5131	1.5 mm <sup>2</sup>	12	17,5 A	750 V (pollution degree 2)*	M2,6	0,4 Nm	DIN rail/screw	0,026	50	6418677111426
KR8031	6 mm <sup>2</sup>	3	41 A	750 V (pollution degree 2)*	M3,5	0,8 Nm	DIN rail/screw	0,015	200	6418677111778
KR8041	6 mm <sup>2</sup>	4	41 A	750 V (pollution degree 2)*	M3,5	0,8 Nm	DIN rail/screw	0,021	200	6418677111792
KR8121	6 mm <sup>2</sup>	12	41 A	750 V (pollution degree 2)*	M3,5	0,8 Nm	DIN rail/screw	0,060	100	6418677111822
KR10021	16 mm <sup>2</sup>	2	82 A	750 V (pollution degree 2)**	M6	2,5 Nm	DIN rail/screw	0,044	100	6418677111334
KR10031	16 mm <sup>2</sup>	3	82 A	750 V (pollution degree 2)**	M6	2,5 Nm	DIN rail/screw	0,065	100	6418677111358

Operating temperature: max. 105 °C

\* Pollution degree 3: nominal insulation voltage 450 V

\*\* Pollution degree 3: nominal insulation voltage 500 V

The nominal currents in the table are for maximum cross-sections.



KR5131



KR8041



KR10031



KR10021

## Ensto Clampo Compact, terminal blocks KE33

Product code	Conductor cross-section (mm <sup>2</sup> )	Colour	Nominal current (A)	Nominal insulation voltage (V)	Screw head slothead	Tightening torque (Nm)	Mounting	Weight (kg)	Package size (pcs)	EAN 13 code
KE33	35 mm <sup>2</sup>	Grey	135 A	750 V	6 mm slot	3,5 Nm	DIN rail	0,043	100	6418677161704
KE33.20	35 mm <sup>2</sup>	Blue	135 A	750 V	6 mm slot	3,5 Nm	DIN rail	0,043	100	6418677161735
KE33.30	35 mm <sup>2</sup>	Yellow/Green			6 mm slot	3,5 Nm	DIN rail	0,043	100	6418677161759

Operating temperature: max. 80 °C

Pollution degree: 3

The nominal currents in the table are for maximum cross-sections.



KE33



KE33.20



KE33.30

# Ensto Clampo Compact terminal blocks

## UL-recognitions

Product code	Number of poles	Wire type	AWG* 1 wire/terminal	Nominal insulation voltage (V)	Nominal current (A)	Nominal tightening torque (Nm)	Screwdriver terminal screw	Dimensions (W x H x D)
KR5031	3	Cu	14 - 22	150	10	0.5 (4.4 Lb-In)	Max. 3.5 mm slot	26 x 22 x 18 mm (1.0 x 0.9 x 0.7 In)
KR5131	12	Cu	14 - 22	150	10	0.5 (4.4 Lb-In)	Max. 3.5 mm slot	70.5 x 22 x 18 mm (2.8 x 0.9 x 0.7 In)
KR8031	3	Cu	8 - 18	150	50	0.8 (7 Lb-In)	Max. 5 mm slot	31 x 22 x 22 mm (1.2 x 0.9 x 0.9 In)
KR8041	4	Cu	8 - 18	150	50	0.8 (7 Lb-In)	Max. 5 mm slot	38 x 22 x 22 mm (1.5 x 0.9 x 0.9 In)
KR8121	12	Cu	8 - 18	150	50	0.8 (7 Lb-In)	Max. 5 mm slot	90.5 x 22 x 22 mm (3.6 x 0.9 x 0.9 In)
KR10021	2	Cu	6 - 18	300	65	2.25 (20 Lb-In)	Max. 6.5 mm slot	33.5 x 31 x 40 mm (1.3 x 1.2 x 1.6 In)
KR10031	3	Cu	6 - 18	300	65	2.25 (20 Lb-In)	Max. 6.5 mm slot	45 x 31 x 40 mm (1.8 x 1.2 x 1.6 In)
KE33	1	Cu	2 - 16	600	115	4.5 (40.5 Lb-In)	Max. 6.5 mm slot	14 x 50 x 44 mm (0.6 x 2.0 x 1.7 In)

Standard UL1059, UL category XCFR2, File Nro E192532.

\* AWG = American Wire Gauge

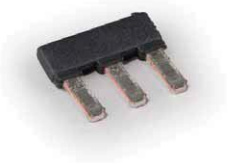
Insulating material polyamide, flammability rating V-2 (UL94).

## Accessories

Product code	Description	Weight (kg)	Package size (pcs)	EAN 13 code
KRL1505.02	Cross connector, 2-pole, 1.5 mm <sup>2</sup>	0.001	100	6418677111860
KRL6067.02	Cross connector, 2-pole, 6 mm <sup>2</sup>	0.001	100	6418677112003
KRL6067.03	Cross connector, 3-pole, 6 mm <sup>2</sup>	0.002	100	6418677112010
KRL6067.04	Cross connector, 4-pole, 6 mm <sup>2</sup>	0.002	100	6418677112027
KRL7	Adapter for 35 x 7.5 mm DIN rail mounting, grey	0.001	100	6418677112034
KNL7	Adapter for 35 x 15 mm DIN rail mounting, black	0.001	100	64186771193187
KRL8	End holder, fits both DIN 15 and 35 mm rails	0.003	100	6418677112041
PMR143	End plate for direct mounting	0.001	100	6418677112614
PMR370	Spacer plate, fits both DIN 15 and 35 mm rails	0.002	100	6418677112645
KRL6	Spacer plate for KR8121	0.002	100	6418677111952
PP44	DIN rail, 15 mm, steel, length = 2 m	0.290	10	6418677112720



Cross connector, 2-pole, KRL1505.02.



Cross connector, 3-pole, KRL6067.03.



Cross connector, 4-pole, KRL6067.04.



Adapter for 35 x 7.5 mm DIN rail mounting, KRL7.



End holder, fits both DIN 15 and 35 mm rails, KRL8.



End plate for direct mounting, PMR143.



Spacer plate, fits both DIN 15 and 35 mm rails, PMR370.



Spacer plate for KR8121, KRL6.



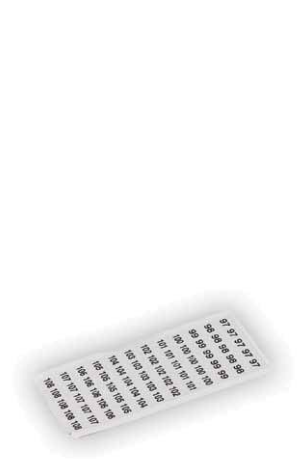
DIN rail, 15 mm, PP44.

# Ensto Clampo Compact terminal blocks

## Marking labels

One tape consists of 5 stripes.

Product code	Description	Weight (kg)	Package size (pcs)	EAN 13 code
PEM10.2	Unmarked tape	0.001	20	6418677112706
<b>For Cu 1.5 mm<sup>2</sup> terminal blocks</b>				
PEM80	Tape, marked 1 - 12	0.001	20	6418677112379
PEM81	Tape, marked 13 - 24	0.001	20	6418677112386
PEM82	Tape, marked 25 - 36	0.001	20	6418677112843
PEM83	Tape, marked 37 - 48	0.001	20	6418677112867
PEM84	Tape, marked 49 - 60	0.001	20	6418677112393
PEM85	Tape, marked 61 - 72	0.001	20	6418677112874
PEM86	Tape, marked 73 - 84	0.001	20	6418677112409
PEM87	Tape, marked 85 - 96	0.001	20	6418677112416
PEM88	Tape, marked 97 - 108	0.001	20	6418677112423
PEM89	Tape, marked 1 - 3 (4x)	0.001	20	6418677112430
PEM90	Tape, marked 1 - 4 (3x)	0.001	20	6418677112447
PEM91	Tape, marked L1, L2, L3 (4x)	0.001	20	6418677112454
PEM92	Tape, marked 1 - 60	0.001	20	6418677112461
PEM93	Tape, marked R,S,T,PE,PE,PE,+,-,U,V,W	0.001	20	6418677112478
<b>For Cu 6 mm<sup>2</sup> terminal blocks</b>				
PEM23	Tape, marked 1 - 12	0.001	20	6418677112072
PEM24	Tape, marked 13 - 24	0.001	20	6418677112089
PEM25	Tape, marked 25 - 36	0.001	20	6418677112096
PEM26	Tape, marked 37 - 48	0.001	20	6418677112102
PEM27	Tape, marked 49 - 60	0.001	20	6418677112119
PEM28	Tape, marked 61 - 72	0.001	20	6418677112126
PEM29	Tape, marked 73 - 84	0.001	20	6418677112133
PEM31	Tape, marked 1 - 3 (4x)	0.001	20	6418677112140
PEM32	Tape, marked 1 - 4 (3x)	0.001	20	6418677112157
PEM33	Tape, marked 85 - 96	0.001	20	6418677112164
PEM34	Tape, marked 97 - 108	0.001	20	6418677112171
PEM35	Tape, marked 101 - 148, R,S,T,O,PE,PE,PE,+,-,U,V,W	0.001	20	6418677112188
PEM36	Tape, marked 149 - 208	0.001	20	6418677112195
PEM37.1	Tape, marked 1-4/1-3/R,S,T,O,PE	0.001	20	6418677167898
PEM37.2	Tape, marked 1-4/1-3/U,V,W,+,-	0.001	20	6418677167904
PEM38	Tape, marked R,S,T,PE,PE,PE,+,-,U,V,W	0.001	20	6418677112218
PEM39.1	Tape, marked 109 - 168	0.001	20	6418677167911
PEM39.2	Tape, marked 169 - 228	0.001	20	6418677167928
PEM40.1	Tape, marked 229 - 288	0.001	20	6418677167935
PEM40.2	Tape, marked 289 - 348	0.001	20	6418677167942
PEM42	Tape, marked L1, L2, L3 (4X)	0.001	20	6418677112249
PEM44	Tape, marked 1 - 60	0.001	20	6418677112256
PEM45	Tape, marked PE, N, L1, L2, L3 (2x)	0.001	20	6418677112263
<b>For Cu 16 mm<sup>2</sup> terminal blocks</b>				
PEM64	Tape, marked 1 - 6	0.001	20	6418677112287
PEM65	Tape, marked 7 - 12	0.001	20	6418677112294
PEM66	Tape, marked 13 - 18	0.001	20	6418677112300
PEM67	Tape, marked 19 - 24	0.001	20	6418677112317
PEM68	Tape, marked L1, L2, L3 (2x)	0.001	20	6418677112324
PEM69	Tape, marked L1, L2, L3, N,PE	0.001	20	6418677112331

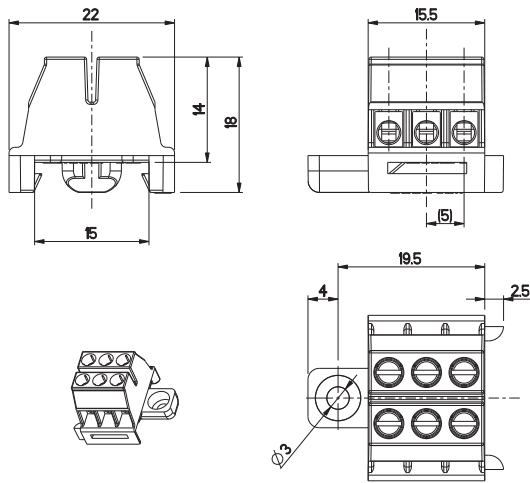


PEM34

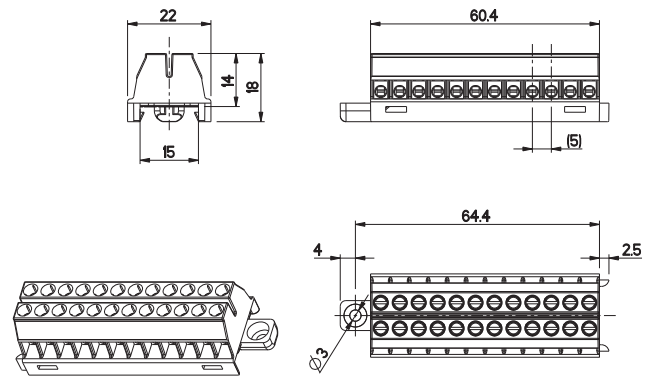
# Technical drawings, Ensto Clampo Compact terminal blocks

Dimensions in mm

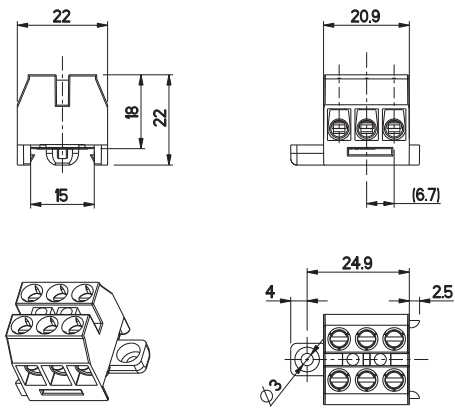
**KR5031**



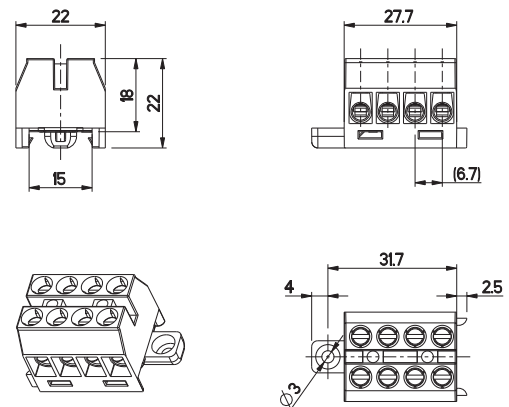
**KR5131**



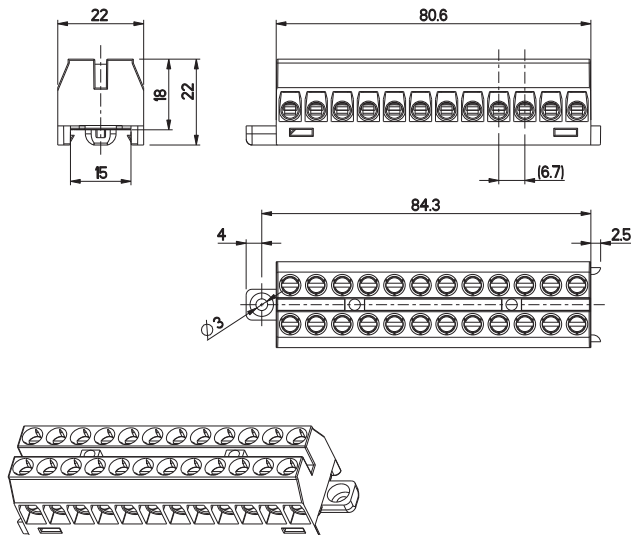
**KR8031**



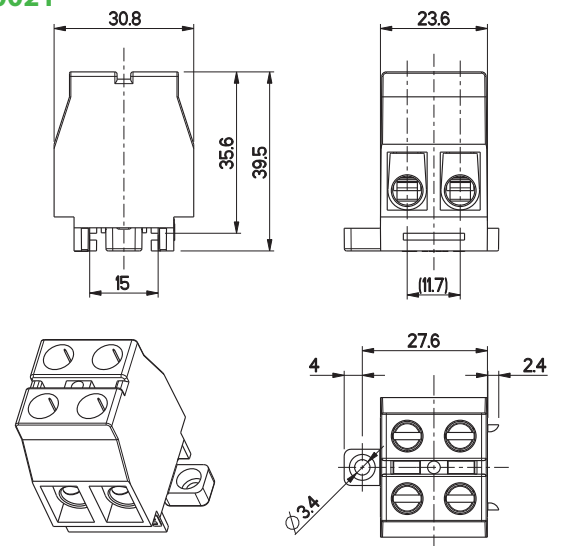
**KR8041**



**KR8121**



**KR10021**



# Technical drawings, Ensto Clampo Compact terminal blocks

Dimensions in mm

