

Signal lamps Ex9PD

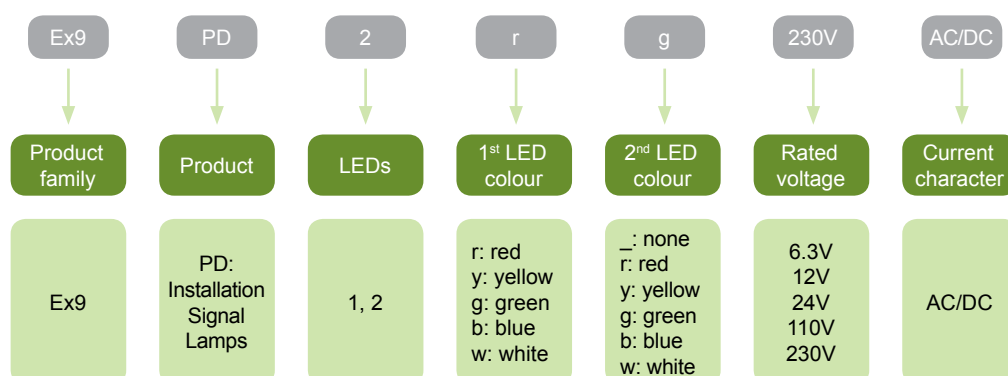


- Installation Signal Lamps
- Meet requirements of IEC / EN 60947-5-1
- LED technology
- Rated operating voltage 6.3 to 230 V AC/DC
- Width 1 MU
- 1 and 2-LED versions
- Various colours and colour combinations

Installation signal lamps Ex9PD are designed and tested according to standard IEC/EN 60947-5-1. They are based on LED technology and suitable e.g. for circuit status indication.

There are available versions with rated operating voltage from 6.3 up to 230 V AC/DC, with 1 and 2 LEDs in various colours and also all combinations of LED colours in double lamp devices to cover all possible applications.

Type Key



Certification marks



Signal lamps Ex9PD

1-LED version



| No of LEDs | Colour | Article No. | Type | Packing |
|------------|--------|-------------|--------------------|---------|
| 1 | red | 102429 | Ex9PD1r 6.3V AC/DC | 2/162 |
| 1 | red | 102430 | Ex9PD1r 12V AC/DC | 2/162 |
| 1 | red | 102431 | Ex9PD1r 24V AC/DC | 2/162 |
| 1 | red | 102432 | Ex9PD1r 110V AC/DC | 2/162 |
| 1 | red | 102433 | Ex9PD1r 230V AC/DC | 2/162 |
| 1 | yellow | 102434 | Ex9PD1y 6.3V AC/DC | 2/162 |
| 1 | yellow | 102435 | Ex9PD1y 12V AC/DC | 2/162 |
| 1 | yellow | 102436 | Ex9PD1y 24V AC/DC | 2/162 |
| 1 | yellow | 102437 | Ex9PD1y 110V AC/DC | 2/162 |
| 1 | yellow | 102438 | Ex9PD1y 230V AC/DC | 2/162 |
| 1 | green | 102439 | Ex9PD1g 6.3V AC/DC | 2/162 |
| 1 | green | 102440 | Ex9PD1g 12V AC/DC | 2/162 |
| 1 | green | 102441 | Ex9PD1g 24V AC/DC | 2/162 |
| 1 | green | 102442 | Ex9PD1g 110V AC/DC | 2/162 |
| 1 | green | 102443 | Ex9PD1g 230V AC/DC | 2/162 |
| 1 | blue | 102444 | Ex9PD1b 6.3V AC/DC | 2/162 |
| 1 | blue | 102445 | Ex9PD1b 12V AC/DC | 2/162 |
| 1 | blue | 102446 | Ex9PD1b 24V AC/DC | 2/162 |
| 1 | blue | 102447 | Ex9PD1b 110V AC/DC | 2/162 |
| 1 | blue | 102448 | Ex9PD1b 230V AC/DC | 2/162 |
| 1 | white | 102449 | Ex9PD1w 6.3V AC/DC | 2/162 |
| 1 | white | 102450 | Ex9PD1w 12V AC/DC | 2/162 |
| 1 | white | 102451 | Ex9PD1w 24V AC/DC | 2/162 |
| 1 | white | 102452 | Ex9PD1w 110V AC/DC | 2/162 |
| 1 | white | 102453 | Ex9PD1w 230V AC/DC | 2/162 |

2-LED version



| No of LEDs | Colour | Article No. | Type | Packing |
|------------|---------------|-------------|---------------------|---------|
| 2 | green, green | 102454 | Ex9PD2gg 6.3V AC/DC | 2/162 |
| 2 | green, green | 102455 | Ex9PD2gg 12V AC/DC | 2/162 |
| 2 | green, green | 102456 | Ex9PD2gg 24V AC/DC | 2/162 |
| 2 | green, green | 102457 | Ex9PD2gg 110V AC/DC | 2/162 |
| 2 | green, green | 102458 | Ex9PD2gg 230V AC/DC | 2/162 |
| 2 | green, red | 102459 | Ex9PD2gr 6.3V AC/DC | 2/162 |
| 2 | green, red | 102460 | Ex9PD2gr 12V AC/DC | 2/162 |
| 2 | green, red | 102461 | Ex9PD2gr 24V AC/DC | 2/162 |
| 2 | green, red | 102462 | Ex9PD2gr 110V AC/DC | 2/162 |
| 2 | green, red | 102463 | Ex9PD2gr 230V AC/DC | 2/162 |
| 2 | green, yellow | 102464 | Ex9PD2gy 6.3V AC/DC | 2/162 |
| 2 | green, yellow | 102465 | Ex9PD2gy 12V AC/DC | 2/162 |
| 2 | green, yellow | 102466 | Ex9PD2gy 24V AC/DC | 2/162 |
| 2 | green, yellow | 102467 | Ex9PD2gy 110V AC/DC | 2/162 |
| 2 | green, yellow | 102468 | Ex9PD2gy 230V AC/DC | 2/162 |
| 2 | green, blue | 102469 | Ex9PD2gb 6.3V AC/DC | 2/162 |
| 2 | green, blue | 102470 | Ex9PD2gb 12V AC/DC | 2/162 |
| 2 | green, blue | 102471 | Ex9PD2gb 24V AC/DC | 2/162 |
| 2 | green, blue | 102472 | Ex9PD2gb 110V AC/DC | 2/162 |
| 2 | green, blue | 102473 | Ex9PD2gb 230V AC/DC | 2/162 |
| 2 | green, white | 102474 | Ex9PD2gw 6.3V AC/DC | 2/162 |
| 2 | green, white | 102475 | Ex9PD2gw 12V AC/DC | 2/162 |
| 2 | green, white | 102476 | Ex9PD2gw 24V AC/DC | 2/162 |
| 2 | green, white | 102477 | Ex9PD2gw 110V AC/DC | 2/162 |
| 2 | green, white | 102478 | Ex9PD2gw 230V AC/DC | 2/162 |

Signal lamps Ex9PD

2-LED version



| No of LEDs | Colour | Article No. | Type | Packing |
|------------|----------------|-------------|---------------------|---------|
| 2 | red, red | 102479 | Ex9PD2rr 6.3V AC/DC | 2/162 |
| 2 | red, red | 102480 | Ex9PD2rr 12V AC/DC | 2/162 |
| 2 | red, red | 102481 | Ex9PD2rr 24V AC/DC | 2/162 |
| 2 | red, red | 102482 | Ex9PD2rr 110V AC/DC | 2/162 |
| 2 | red, red | 102483 | Ex9PD2rr 230V AC/DC | 2/162 |
| 2 | red, yellow | 102484 | Ex9PD2ry 6.3V AC/DC | 2/162 |
| 2 | red, yellow | 102485 | Ex9PD2ry 12V AC/DC | 2/162 |
| 2 | red, yellow | 102486 | Ex9PD2ry 24V AC/DC | 2/162 |
| 2 | red, yellow | 102487 | Ex9PD2ry 110V AC/DC | 2/162 |
| 2 | red, yellow | 102488 | Ex9PD2ry 230V AC/DC | 2/162 |
| 2 | red, blue | 102489 | Ex9PD2rb 6.3V AC/DC | 2/162 |
| 2 | red, blue | 102490 | Ex9PD2rb 12V AC/DC | 2/162 |
| 2 | red, blue | 102491 | Ex9PD2rb 24V AC/DC | 2/162 |
| 2 | red, blue | 102492 | Ex9PD2rb 110V AC/DC | 2/162 |
| 2 | red, blue | 102493 | Ex9PD2rb 230V AC/DC | 2/162 |
| 2 | red, white | 102494 | Ex9PD2rw 6.3V AC/DC | 2/162 |
| 2 | red, white | 102495 | Ex9PD2rw 12V AC/DC | 2/162 |
| 2 | red, white | 102496 | Ex9PD2rw 24V AC/DC | 2/162 |
| 2 | red, white | 102497 | Ex9PD2rw 110V AC/DC | 2/162 |
| 2 | red, white | 102498 | Ex9PD2rw 230V AC/DC | 2/162 |
| 2 | yellow, yellow | 102499 | Ex9PD2yy 6.3V AC/DC | 2/162 |
| 2 | yellow, yellow | 102500 | Ex9PD2yy 12V AC/DC | 2/162 |
| 2 | yellow, yellow | 102501 | Ex9PD2yy 24V AC/DC | 2/162 |
| 2 | yellow, yellow | 102502 | Ex9PD2yy 110V AC/DC | 2/162 |
| 2 | yellow, yellow | 102503 | Ex9PD2yy 230V AC/DC | 2/162 |
| 2 | yellow, blue | 102504 | Ex9PD2yb 6.3V AC/DC | 2/162 |
| 2 | yellow, blue | 102505 | Ex9PD2yb 12V AC/DC | 2/162 |
| 2 | yellow, blue | 102506 | Ex9PD2yb 24V AC/DC | 2/162 |
| 2 | yellow, blue | 102507 | Ex9PD2yb 110V AC/DC | 2/162 |
| 2 | yellow, blue | 102508 | Ex9PD2yb 230V AC/DC | 2/162 |
| 2 | yellow, white | 102509 | Ex9PD2yw 6.3V AC/DC | 2/162 |
| 2 | yellow, white | 102510 | Ex9PD2yw 12V AC/DC | 2/162 |
| 2 | yellow, white | 102511 | Ex9PD2yw 24V AC/DC | 2/162 |
| 2 | yellow, white | 102512 | Ex9PD2yw 110V AC/DC | 2/162 |
| 2 | yellow, white | 102513 | Ex9PD2yw 230V AC/DC | 2/162 |
| 2 | blue, blue | 102514 | Ex9PD2bb 6.3V AC/DC | 2/162 |
| 2 | blue, blue | 102515 | Ex9PD2bb 12V AC/DC | 2/162 |
| 2 | blue, blue | 102516 | Ex9PD2bb 24V AC/DC | 2/162 |
| 2 | blue, blue | 102517 | Ex9PD2bb 110V AC/DC | 2/162 |
| 2 | blue, blue | 102518 | Ex9PD2bb 230V AC/DC | 2/162 |
| 2 | blue, white | 102519 | Ex9PD2bw 6.3V AC/DC | 2/162 |
| 2 | blue, white | 102520 | Ex9PD2bw 12V AC/DC | 2/162 |
| 2 | blue, white | 102521 | Ex9PD2bw 24V AC/DC | 2/162 |
| 2 | blue, white | 102522 | Ex9PD2bw 110V AC/DC | 2/162 |
| 2 | blue, white | 102523 | Ex9PD2bw 230V AC/DC | 2/162 |
| 2 | white, white | 102524 | Ex9PD2ww 6.3V AC/DC | 2/162 |
| 2 | white, white | 102525 | Ex9PD2ww 12V AC/DC | 2/162 |
| 2 | white, white | 102526 | Ex9PD2ww 24V AC/DC | 2/162 |
| 2 | white, white | 102527 | Ex9PD2ww 110V AC/DC | 2/162 |
| 2 | white, white | 102528 | Ex9PD2ww 230V AC/DC | 2/162 |

Technical Data Ex9PD

Installation signal lamps

General parameters

| |
|---------------------------------------------|
| Modular design |
| Suitable e.g. for circuit status indication |
| Based on LED technology |

Electrical parameters

| | |
|--------------------------------|-----------------------------------------------------------------------|
| Tested according to | IEC/EN 60947-5-1 |
| Light technology | LED |
| Number of LEDs | 1, 2 |
| LED colours | red, yellow, green, blue, white |
| Rated operating voltage U_e | 6.3 V AC/DC 12 V AC/DC 24 V AC/DC 110 V AC/DC 230 V AC/DC |
| Rated current I_e | ≤ 20 mA / LED |
| Rated insulation voltage U_i | 500 V |
| Electrical service life | ≥ 30 000 working hours |
| LED lumiance L_v | ≥ 60 cd/m ² |

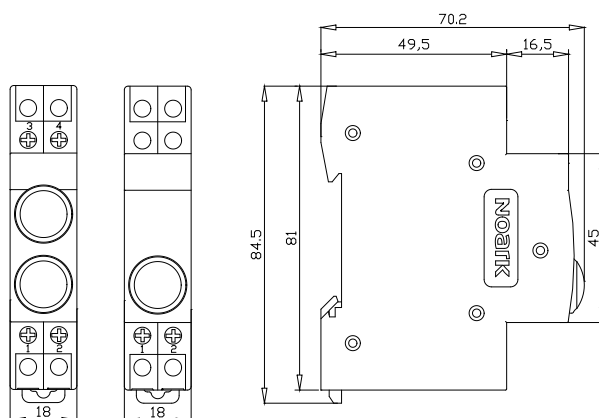
Mechanical parameters

| | |
|---------------------------------|---------------------------------------------|
| Device width | 18 mm |
| Device height | 81 mm (84.5 mm including rail clip) |
| Frame size | 45 mm |
| Mounting | easy fastening onto 35 mm device rail (DIN) |
| Degree of protection | IP20 |
| Terminals | lift |
| Terminal capacity | 1 — 2.5 mm ² |
| Fastening torque of terminals | 0.8 Nm |
| Ambient temperature | -5 — +40 °C |
| Altitude | ≤ 2000 m |
| Relative humidity | ≤ 95 % |
| Resistance to humidity and heat | class 2 |
| Pollution degree | 2 |
| Installation class | III |
| Weight | 0.09 kg per pole |

Technical Data Ex9PD

Installation signal lamps

Dimensions



Wiring diagrams

