



Energy & Power > Power Systems Connectors > Compression Connectors

Compression Connector Product Availability: **Worldwide**Compression Connector Technology: **Crimp**Compression Connector Voltage Class: **.6 kV, 1 kV**Compression Connector Conductor Material: **Aluminum**Conductor Cross-Section: **25 mm²**

Features

Product Type Features

Type	Junction Sleeve
Compression Connector Technology	Crimp
Compression Connector Material	Aluminum
Underground Network Component Type	Pre-insulated Junction Sleeve

Electrical Characteristics

Compression Connector Voltage Class	.6 kV, 1 kV
-------------------------------------	-------------

Body Features

Conductor Type	Stranded
Compression Connector Conductor Material	Aluminum
Copper Palm	No

Contact Features

Crimp Type	Hexagonal
------------	-----------

Dimensions

Barrel Length	100 mm[3.937 in]
Barrel Diameter	20 mm[.787 in]
Conductor Cross-Section	25 mm ²

Operation/Application



Free of Lead, Cadmium, Heavy Metals	Yes
Application Type	LV ABC
Energized Installation	No
Indoor Use	No
Outdoor Use	Yes

Industry Standards

Standards	NFC 33 021 / EN 50483-10
CSA Certified	No
UL Listed	No

Product Availability

Compression Connector Product Availability	Worldwide
--	-----------

Product Compliance

[For compliance documentation, visit the product page on TE.com>](#)

EU RoHS Directive 2011/65/EU	Compliant
EU ELV Directive 2000/53/EC	Compliant
China RoHS 2 Directive MIIT Order No 32, 2016	No Restricted Materials Above Threshold
EU REACH Regulation (EC) No. 1907/2006	Current ECHA Candidate List: JUNE 2023 (235) Candidate List Declared Against: JUN 2016 (169) Does not contain REACH SVHC
Halogen Content	Low Halogen - Br, Cl, F, I < 900 ppm per homogenous material. Also BFR/CFR/PVC Free
Solder Process Capability	Not applicable for solder process capability

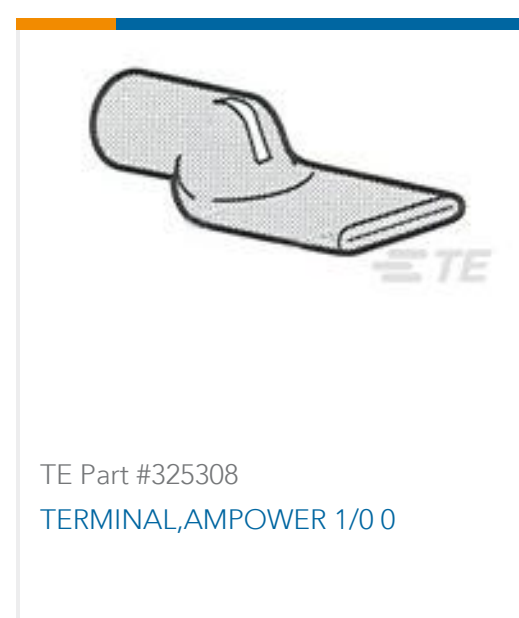
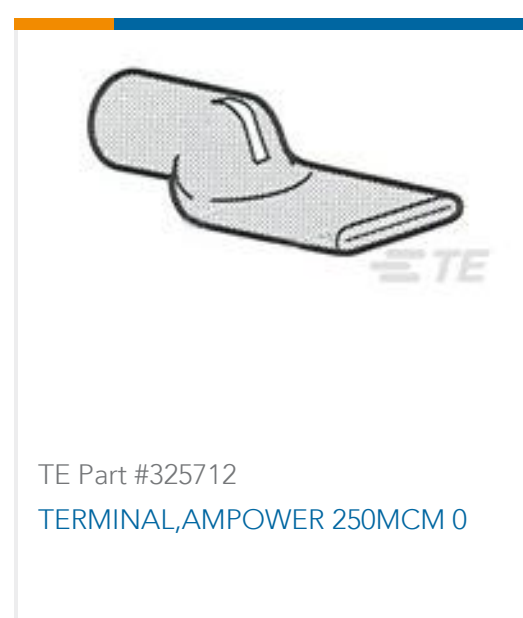
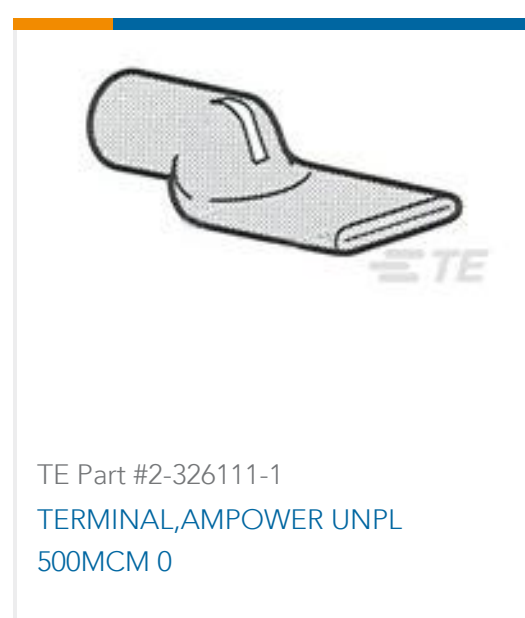
Product Compliance Disclaimer

This information is provided based on reasonable inquiry of our suppliers and represents our current actual knowledge based on the information they provided. This information is subject to change. The part numbers that TE has identified as EU RoHS compliant have a maximum concentration of 0.1% by weight in homogenous materials for lead, hexavalent chromium, mercury, PBB, PBDE, DBP, BBP, DEHP, DIBP, and 0.01% for cadmium, or qualify for an exemption to these limits as defined in the Annexes of Directive 2011/65/EU (RoHS2). Finished electrical and electronic equipment products will be CE marked as required by Directive 2011/65/EU. Components may not be CE marked. Additionally, the part numbers that TE has identified as EU ELV compliant have a maximum concentration of 0.1% by weight in homogenous materials for lead, hexavalent chromium, and mercury, and 0.01% for cadmium, or qualify for an exemption to these limits as defined in the Annexes of Directive 2000/53/EC (ELV). Regarding the REACH Regulation, the information TE provides on SVHC in articles for this part number is based on the latest European Chemicals Agency (ECHA) 'Guidance on requirements for substances in articles' posted at this URL: <https://echa.europa.eu/guidance-documents/guidance-on-reach>

Compatible Parts



Customers Also Bought



Documents

Product Drawings

MJPT 25 ALUS

French

Datasheets & Catalog Pages

CONNECTORS & FITTINGS

English

709185-2

Compression Connectors, Worldwide, Crimp, .6 kV / 1 kV, Aluminum, Hexagonal,
Aluminum, Outdoor Use, Pre-insulated Junction Sleeve

