



Table of content

Universal clamps

Universal clamps	
UKR 90, UKRA 90	4/3
UKR 200, UKRA 200	4/4
Typical applications, UKR 200,UKRA 200	4/5

Universal clamps

UKR 90, UKRA 90

UKR 90

Use

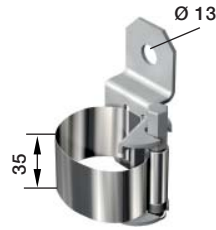
For fixing cables, tubes, hoses, etc. It will fix round profiles with \varnothing 20–90 mm or angular profiles with circumferences of 60–300 mm.

Design

The bracket is made of non-magnetic hot-dip galvanized steel. The band is made of stainless steel SS 2333-02 with rounded edges and has a thickness of 0.2 mm. The band can be tightened and locked in one operation. The locking bolt is made of die-cast zinc alloy.

UKRS 90

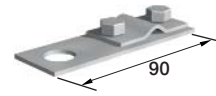
Consists of one UKR 90 and a spacer with a hexagon head wood screw for fastening on a wooden pole e.g.



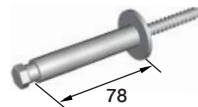
UKR 90
Universal clamp.



UKRS 90
Universal clamp with spacer.



UKJ
Earthing plate.



UKS 90
Spacer.

Applications:



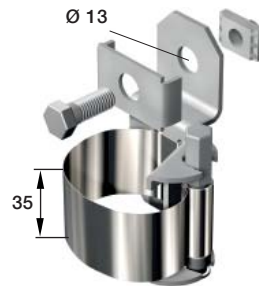
UKRA 90

Use

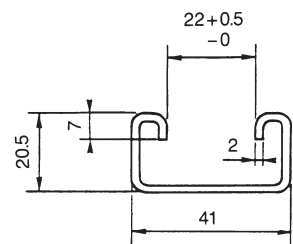
For fixing cables with \varnothing 20–90 mm to the anchor bars in a cable distribution cabinet, etc.

Design

The bracket is made of non-magnetic hot-dip galvanized steel. The band is made of stainless steel according to SS 2333-02 with rounded edges and has a thickness of 0.2 mm. The band can be tightened and locked in one operation. The locking bolt is made of die-cast zinc alloy. A spring-loaded nut with a reversible locking washer offers a choice of fixed or flexible position and direction.



UKRA 90
Universal clamp with bracket for anchor bar.



Dimensional drawing of the anchor bar.

Designation	Weight
	kg/item
UKR 90	0.17
UKRA 90	0.23
UKS	0.28
UKRS 90	0.45
UKJ	0.14

Universal clamps

UKR 200, UKRA 200

UKR 200

Use

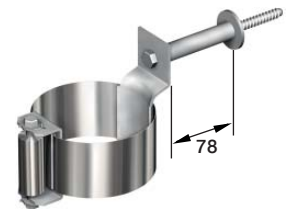
For bundling cables with \varnothing 50–275 mm.

Design

The bracket is made of non-magnetic hot-dip galvanized steel. The band is made of stainless steel SS 2333-02 with rounded edges and has a thickness of 0.2 mm. The band can be tightened and locked in one operation. The locking bolt is made of die-cast zinc alloy.



UKR 200
Universal clamp.



UKRS 200
Universal clamp UKR 200 with spacer.

UKRF

For fixing cables, etc., to cable ladders. For use together with UKR 200. The height of the ladder profile is approx. 16 mm and will fit within the specified dimensions. The bracket is made of hot-dip galvanized steel.



UKRF
Fixing bracket.

UKRS 200

Consists of one UKR 200 and a spacer with a hexagon head wood screw for fastening cables on a wall or a wooden pole.

UKRA 200

Use

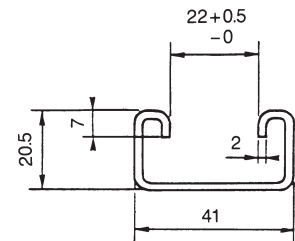
For fixing cables with \varnothing of 50–275 mm to the anchor bars.

Design

The bracket is made of non-magnetic hot-dip galvanized steel. The band is made of stainless steel SS 2333-02 with rounded edges and a thickness of 0.2 mm. The locking bolt is made of die-cast zinc alloy and can be tightened and locked in one operation. A spring-loaded nut with a reversible locking washer offers a choice of fixed or flexible position and direction.



UKRA 200
Universal clamp with bracket for anchor bar.



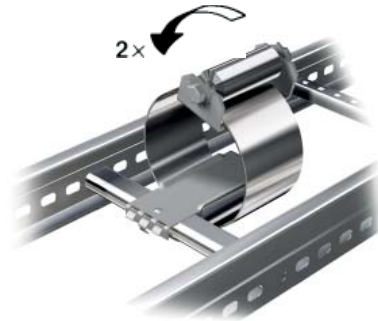
Dimensional drawing of the anchor bar.

Designation	Weight
	kg/item
UKR 200	0.32
UKRA 200	0.45
UKRF	0.21
UKRS 200	0.81

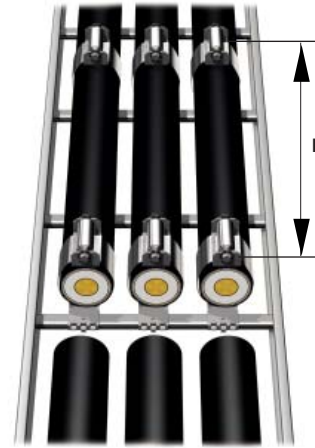
Typical applications

UKR 200, UKRA 200

Flat configuration

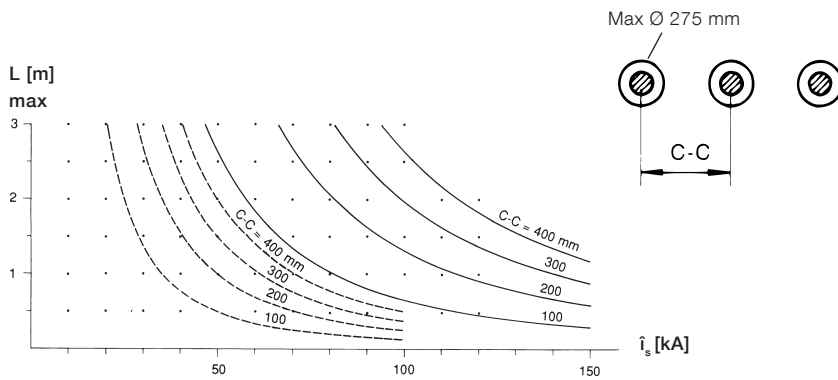


UKR 200 with fixing brackets UKRF.



UKR 200 with one fixing bracket, UKRF.

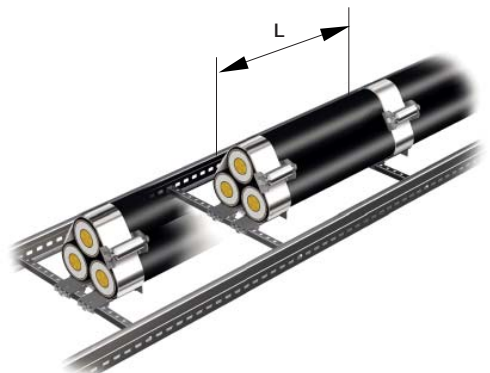
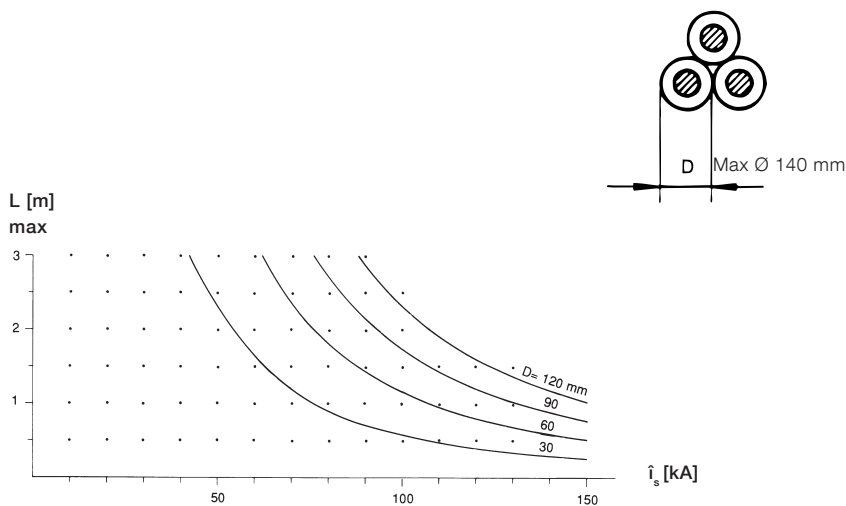
Universal clamp (results of testing with 2 turns of steel band).



\hat{I}_s = Short circuit current (peak value)
 C-C = Distance between cable centres
 L max = Distance between clamps

———— UKR 200 with fixing bracket, UKRF
 - - - - UKRA 200

Trefoil configuration



UKR 200 with two fixing brackets, UKRF.

\hat{I}_s = Short circuit current (peak value)
 D = Outer diameter of cable
 L max = Distance between clamps

———— UKR 200 with fixing bracket, UKRF