

# PRODUCT DATASHEET

## FLOODLIGHT VALUE 10 W 4000 K IP65 BK

### FLOODLIGHT VALUE | Floodlight



---

#### AREAS OF APPLICATION

- Replacement for floodlights with halogen lamps
- Car parks and underpasses
- Public areas
- Building facades
- Construction areas

---

#### PRODUCT BENEFITS

- Energy savings of up to 80 % compared to halogen lamp floodlights
- Semi-frosted, tempered glass cover for uniform illumination
- Quick and simple installation thanks to low profile, compact and light weight design
- 3 years guarantee

---

#### PRODUCT FEATURES

- Luminous efficacy: up to 90 lm/W
- Symmetrical beam angle: 110° x 110°
- Mounting bracket for up to 180° tilting
- Type of protection: IP65
- Impact resistance: IK06 (10 W to 50 W), IK08 (from 100 W)
- Ambient temperature in operation: -20...+45 °C



**TECHNICAL DATA**

Electrical data

Nominal wattage	10.00 W
Operating mode	Integrated LED driver
Nominal voltage	220...240 V
Power factor $\lambda$	$\geq 0.90$
Mains frequency	50/60 Hz
Max. no. of lum. on circuit break. B16 A	56
Max. no. of lum. on circuit break. C10 A	35
Max. no. of lum. on circuit break. C16 A	56
Inrush current	2.0 A
Total harmonic distortion	< 35 %
Inrush current time $T_{h50}$	96 $\mu$ s

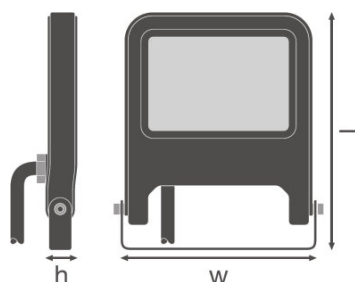
Photometrical data

Color temperature	4000 K
Luminous flux	800 lm
Luminous efficacy	80 lm/W
Standard deviation of color matching	<6 sdc <sub>m</sub>
Light color (designation)	Cool White
Color rendering index Ra	$\geq 80$

Light technical data

Beam angle	110 ° x 110 °
------------	---------------

Dimensions & weight



Length	108.0 mm
Width	93.0 mm
Height	33.0 mm

<b>Product weight</b>	280.00 g
<b>Cable length</b>	500 mm

### Colors & materials

<b>Body material</b>	Aluminum
<b>Product color</b>	Black
<b>Housing color</b>	Black
<b>Cover material</b>	Glass

### Temperatures & operating conditions

<b>Ambient temperature range</b>	-20...+45 °C
----------------------------------	--------------

### Lifespan

<b>Number of switching cycles</b>	10000
<b>Lifespan L70/B50 at 25 °C</b>	30000 h

### Additional product data

<b>Mounting type</b>	Surface
<b>Mounting location</b>	Wall / Ceiling / Floor

### Capabilities

<b>Adjustable</b>	Yes
<b>Dimmable</b>	No
<b>Type of connection</b>	Cable, 3-pole
<b>LED module replaceable</b>	Not replaceable

### Certificates & standards

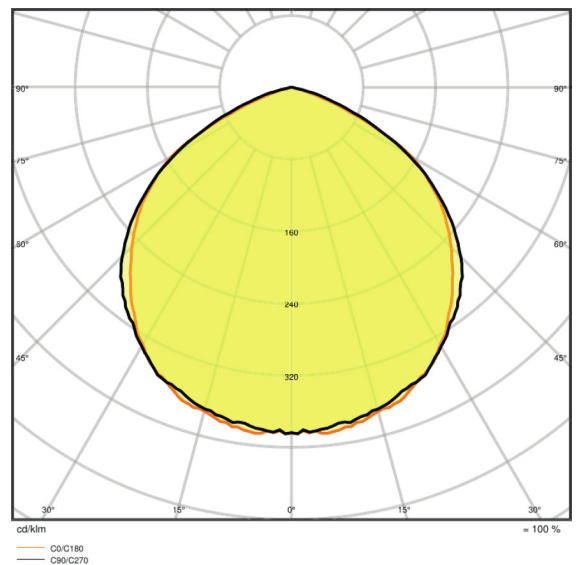
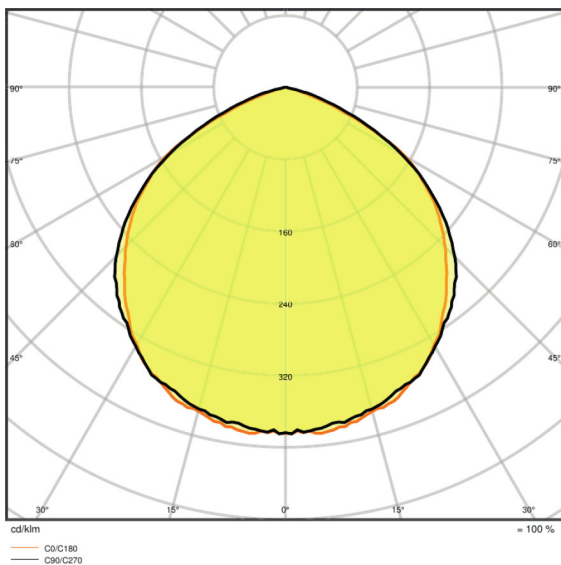
<b>Protection class IK (shock resistance)</b>	IK06
<b>Glow Wire Test according to IEC 60695-2-12</b>	650 °C
<b>Photobiological safety group EN62778</b>	RG 1
<b>Protection class</b>	I
<b>Type of protection</b>	IP65
<b>Luminaire with limited surface temperature, class "D"</b>	No
<b>Standards</b>	CE/CB/TÜV SÜD/EAC/RoHS

Light Distribution



LDC typ cone

LDC typ cone



LDC typ polar

LDC typ polar

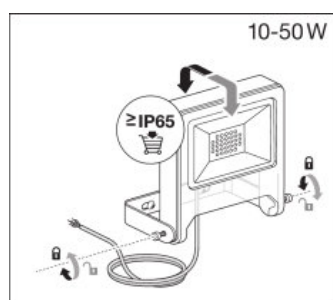
LOGISTICAL DATA

Product code	Packaging unit (Pieces/Unit)	Dimensions (length x width x height)	Gross weight	Volume
--------------	------------------------------	--------------------------------------	--------------	--------

4058075268586	Folding carton box 1	72 mm x 122 mm x 136 mm	311.00 g	1.19 dm <sup>3</sup>
4058075268593	Shipping carton box 12	255 mm x 225 mm x 285 mm	3567.00 g	16.35 dm <sup>3</sup>

The mentioned product code describes the smallest quantity unit which can be ordered. One shipping unit can contain one or more single products. When placing an order, for the quantity please enter single or multiples of a shipping unit.

#### ADDITIONAL CATALOG INFORMATION



#### REFERENCES / LINKS

For Guarantee see

- ▶ [www.ledvance.com/guarantee](http://www.ledvance.com/guarantee)

#### DISCLAIMER

Subject to change without notice. Errors and omission excepted. Always make sure to use the most recent release.