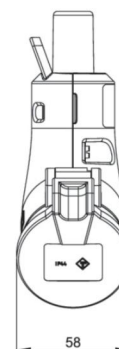
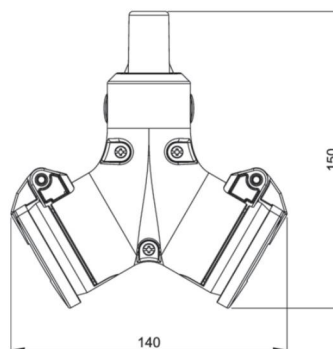


article#	25212-r
article description	2-way connector nat with lid IP44
description long	2-way safety connector with hinged lid housing material: PC/ABS, contact carrier: PA color housing: red/black 3-pole terminal block earthing system: Austrian/German contacts: nickel plated 250V~ / 16A / 2P+E / 3500W max protection rating: IP44
GTIN (EAN)	9003399764813
country of origin	PL
customs number	85366990
net weight	0.230 kg
packaging quantity	10
minimum order quantity	10

ETIM 9.0	EC001327
Model	Coupler CEE 7/3 (Typ F)
Material	Plastic
For heavy conditions according to VDE	True
Degree of protection (IP)	IP44
Insert direction	Straight
Connection system	Screwed terminal
Colour	Red
Number of poles	3
Nominal voltage	250 V
Nominal current	16 A

wire flexible	1-2,5 mm ²
contact screws	80 Ncm
strain relief	80 Ncm
dismantling length	30 mm
stripping length	7 mm



<https://www.pcelectric.at/shop/en/?func=detail&artnr=25212-r>

