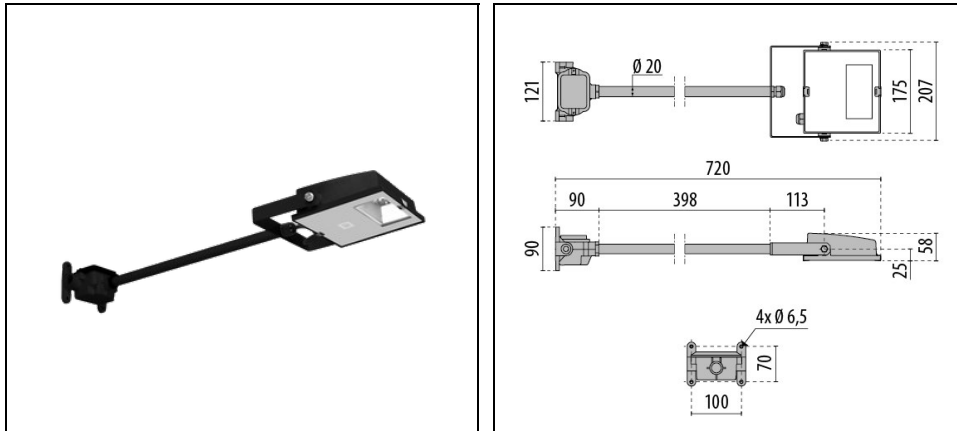


# GUPELL ZERO KIT S/M

Part number 06124980



## Description

LED floodlight for indoor and outdoor, comprising:

- Die-cast aluminium housing, polyester powder coat finish ISO 9227/12944 - ISO 9223 (C5)
- Extra clear, toughened, flat glass diffuser
- Glazing diffuser permanently sealed to the housing trough high-temperature resistant silicone
- Extra pure polished aluminium reflector
- Stainless steel locking hardware
- Stainless steel locking springs for the glass
- Powder-coated steel tiltable bracket
- Complete with 1 m factory pre-wired cable H05RN-F 3G1 mm<sup>2</sup>
- Versions of GUPELL ZERO KIT are complete with 0,5 m arm with integrated connection box, suitable for through wiring
- Other colour temperatures (CCT) and colour rendering index (CRI) options available. Consult factory
- Design by GIORGIO LODI

To maintain the regular updating of our products, PERFORMANCE in LIGHTING reserves the right to make changes without prior notice. For the most up to date information we always recommend you read the latest version published on the website [www.performanceinlighting.com](http://www.performanceinlighting.com). Delivered luminaire lumen outputs and power consumptions, including losses, are subject to a tolerance of +/- 7%, and unless otherwise stated the values apply to an ambient temperature of 25°C. Terms of warranty are available at <https://www.performanceinlighting.com/qr/company/led-warranty>

## Product data

ETIM Group:	EG000027	ETIM Class:	EC001744
-------------	----------	-------------	----------

## General information

Lampholder:	LED	Light source:	LED
Lightsource lumen output [lm]:	1888	Luminaire lumen output [lm]:	1603
Luminaire wattage [W]:	15 W	Luminous efficacy [lm/W]:	107
CRI:	80	Colour temperature [K]:	4000
Colour / Finishing:	BK-RAL9005 / Black RAL9005 / Glossy	IP degree of protection:	IP66
IK-J-xxIP:	IK06 1.2J xx3	Protection class:	I
Optic:	S/M - Symmetric Medium	Net weight [kg]:	2.25
Overall length [mm]:	207	Overall width [mm]:	720
Overall height [mm]:	90		

## Mechanical features

Shape:	Rectangular	Housing material:	Aluminium
Diffuser material:	Glass	Glow wire test [°C]:	650 °C
Frontal exposed area [m <sup>2</sup> ]:	0.01	Lateral exposed area [m <sup>2</sup> ]:	0.02
Top exposed area [m <sup>2</sup> ]:	0.05		

## Electrical features

Voltage type:	AC	Input voltage [V AC]:	220/240
Input frequency [Hz]:	50/60	Power factor / COS Φ:	0.9
Inrush current [A/μs]:	10 / 600	C10 1.5 mm <sup>2</sup> :	28
C16 2.5 mm <sup>2</sup> :	41	B10 1.5 mm <sup>2</sup> :	22
B16 2.5 mm <sup>2</sup> :	33		

## Installation

Application area:	Outdoor	Mounting type:	Floodlighting
Min. ambient temperature [°C]:	-15	Max. ambient temperature [°C]:	35
Min. distance from lighted object [m]:	0.10		

## Light features

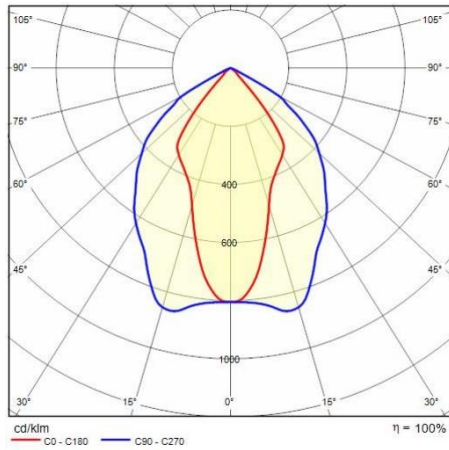
MacAdam:	3	Lumen maintenance:	L70B10@150000h
Distribution of light emission:	Direct	Luminous Intensity Class:	G'6
Zero light pollution (ULR = 0%):		IPEA* (road lighting):	A3+
IPEA* (large areas, roundabouts):	A4+	IPEA* (cycle-pedestrian):	A3+
IPEA* (green areas):	A3+	IPEA* (historic city centers):	A6+

To maintain the regular updating of our products, PERFORMANCE IN LIGHTING reserves the right to make changes without prior notice. For the most up to date information we always recommend you read the latest version published on the website [www.performanceinlighting.com](http://www.performanceinlighting.com). Delivered luminaire lumen outputs and power consumptions, including losses, are subject to a tolerance of +/- 7%, and unless otherwise stated the values apply to an ambient temperature of 25°C. Terms of warranty are available at <https://www.performanceinlighting.com/qr/company/led-warranty>

---

To maintain the regular updating of our products, PERFORMANCE IN LIGHTING reserves the right to make changes without prior notice. For the most up to date information we always recommend you read the latest version published on the website [www.performanceinlighting.com](http://www.performanceinlighting.com). Delivered luminaire lumen outputs and power consumptions, including losses, are subject to a tolerance of +/- 7%, and unless otherwise stated the values apply to an ambient temperature of 25°C. Terms of warranty are available at <https://www.performanceinlighting.com/qr/company/led-warranty>

## Photometric data



To maintain the regular updating of our products, PERFORMANCE iN LIGHTING reserves the right to make changes without prior notice. For the most up to date information we always recommend you read the latest version published on the website [www.performanceinlighting.com](http://www.performanceinlighting.com). Delivered luminaire lumen outputs and power consumptions, including losses, are subject to a tolerance of +/- 7%, and unless otherwise stated the values apply to an ambient temperature of 25°C. Terms of warranty are available at <https://www.performanceinlighting.com/qr/company/led-warranty>