

Description



- Twilight switch with integrated light sensor
- Fixed On and Off switching delay
 - to avoid faulty operation caused by lightning, car headlights etc.
- Cable feed from the back and from below
 - Cover with snap-on function when opening for the straightforward installation of the device
- Captive screws
- Large terminal area
- Brightness value can be set without opening the device
- Large light exposure angle (approx. 180 degrees)
- Infinitely adjustable switching brightness

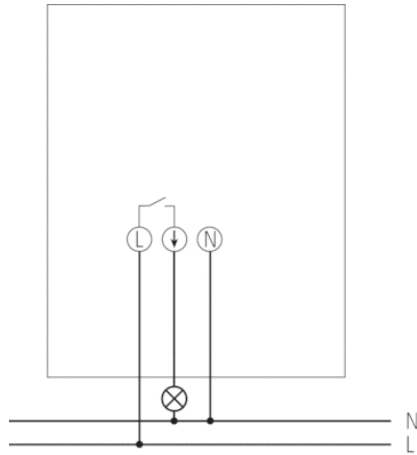
Technical data

| | |
|---|---|
| Operating voltage | 220 – 230 V AC |
| Frequency | 50 – 60 Hz |
| Number of channels | 1 |
| Stand-by consumption | ~0,6 W |
| Setting range brightness | 5 – 200 lx |
| Preset brightness value | 15 lx |
| Switch-on delay | 40 s |
| Switch-off delay | 40 s |
| Type of contact | NO contact |
| Switching output | Not potential-free (230 V) |
| Installation type | Wall installation or mast bracket |
| Type of connection | Screw terminals |
| Switching capacity | 16 A (at 230 V AC, $\cos \varphi = 1$), 10 AX (at 230 V AC, $\cos \varphi = 0.3$) |
| Incandescent lamp load | 2300 W |
| Halogen lamp load | 2300 W |
| Fluorescent lamp load (conventional) not corrected | 2300 VA |
| Fluorescent lamp load (conventional) series-corrected | 2300 VA |
| Fluorescent lamp load (conventional) lead-lag circuit | 2300 VA |
| Fluorescent lamp load (conventional) parallel-corrected | 400 VA 42 μ F |
| Energy saving lamps | 90 W |
| Fluorescent lamp load (electronic ballast) | 350 W |
| LED lamp < 2 W | 20 W |
| LED lamp 2-8 W | 55 W |
| LED lamp > 8 W | 70 W |

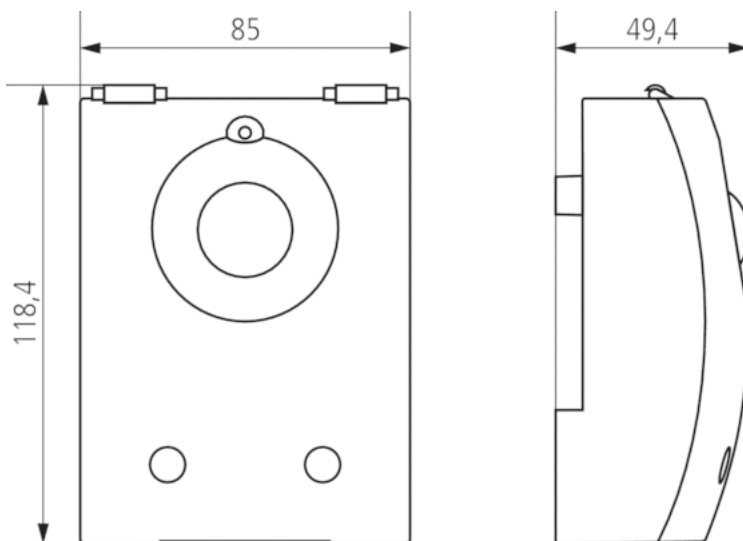
Article number: 1260700

| | |
|---------------------------------|--|
| Test approval | VDE |
| Housing and insulation material | High-temperature resistant, self-extinguishing thermoplastic |
| Ambient temperature | -35 °C ... +55 °C |
| Type of protection | IP 55 |
| Protection class | II |

Connection example



Scale drawings



Accessories

Adapter plate LUNA star

- Article number: 9070486
Details ▶ www.theben.de

