

Motion detector

IS 360-3

black
EAN 4007841 006525
Article number 006525



Infrarot-Sensor
360°



Max. ø 24 m

2000 W

2000 W Max. (LED-
fähig)



IP54



2 - 1000 Lux



5 Sek - 15 Min



Ideal 2 m



Energie sparen

3 years

Herstellergarantie



CE

Function description

The multi-talent for indoors and outdoors. Infrared wall sensor IS 360-3, ideal for mounting under soffits, in carports, on large building facades and driveways, 3 pyro sensors for a 360° angle of coverage, reach can be set up to 12 m, selectable time and twilight threshold, detection zone can be customised with shrouds.

Technical specifications

Dimensions (Ø x H)	121 x 57 mm	LED lamps > 2 W < 8 W	200 W
Manufacturer's Warranty	3 years	LED lamps > 8 W	400 W
Settings via	Potentiometers	Capacitive load in µF	176 µF
With remote control	No	Technology, sensors	passive infrared, Light sensor
Version	black	Mounting height	2,50 – 6,00 m
PU1, EAN	4007841006525	Mounting height max.	6,00 m
Type	Motion detectors	Optimum mounting height	2,8 m
Application, place	Outdoors, Indoors	Detection angle	360 °
Application, room	outdoors, all round the building, Indoors	Angle of aperture	90 °
Colour	black	Sneak-by guard	Yes
Colour, RAL	9005	Capability of masking out individual segments	Yes
Includes corner wall mount	No	Electronic scalability	No
Installation site	ceiling	Mechanical scalability	No
Installation	Surface wiring, Ceiling	Reach, radial	Ø 6 m (28 m ²)
IP-rating	IP54	Reach, tangential	Ø 24 m (452 m ²)
Protection class	II	Switching zones	972 switching zones

Motion detector

IS 360-3

black
EAN 4007841 006525
Article number 006525



Technical specifications

Ambient temperature	-20 – 50 °C
Material	Plastic
Mains power supply	220 – 240 V / 50 – 60 Hz
Switching output 1, resistive	2000 W
Fluorescent lamps, electronic ballast	400 W
Fluorescent lamps, uncorrected	500 VA
Fluorescent lamps, series-corrected	900 VA
Fluorescent lamps, parallel-corrected	400 VA
Switching output 1, low-voltage halogen lamps	2000 VA
LED lamps < 2 W	100 W

Twilight setting	2 – 1000 lx
Time setting	5 s – 15 Min.
Basic light level function	No
Main light adjustable	No
Twilight setting TEACH	No
Constant-lighting control	No
Interconnection	Yes
Type of interconnection	Master/master
Interconnection via	Cable

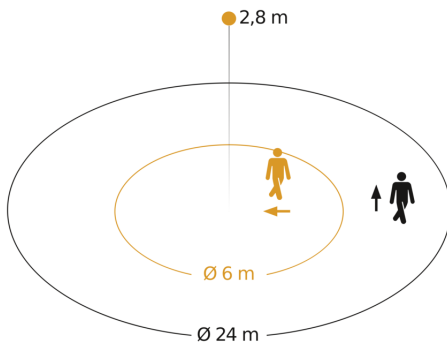
Motion detector

IS 360-3

black
EAN 4007841 006525
Article number 006525

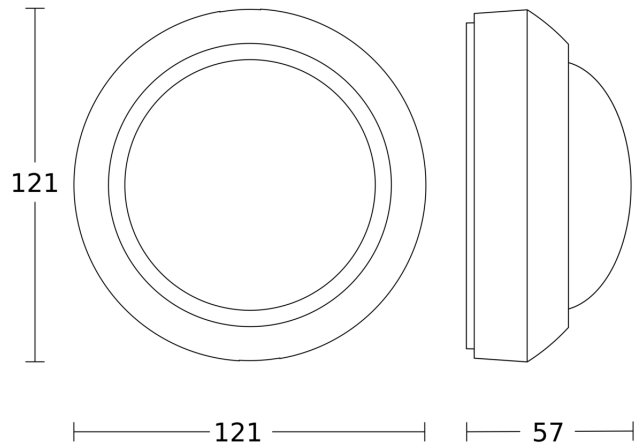


Detection Zone

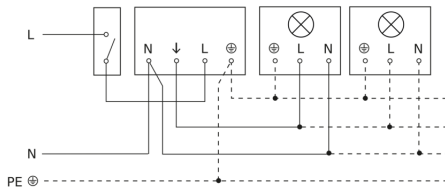


Possible mounting height: 2,50 m – 6,00 m
Orange: radial
Black: tangential

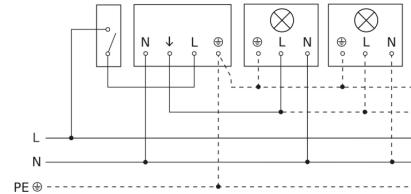
Dimension Drawing



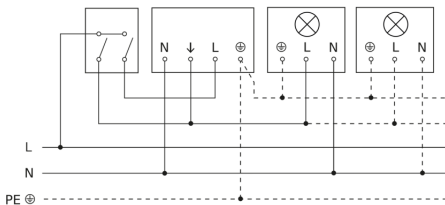
Light without neutral conductor



Light with neutral conductor



Connection using two-circuit switch for manual and automatic operation



Circuit diagram Connection via a changeover switch for continuous and automatic operation

