

Motion detector

IS 360-1 DE

black
EAN 4007841 032852
Article number 032852



Infrarot-Sensor
360°



Max. 4 m

1000 W

1000 W max. (LED-
fähig)



IP54



2 - 2000 Lux



8 Sek - 35 Min



Ideal 2.2 m



Energie sparen

3 years

Herstellergarantie



CE

Function description

Intelligent technology for installation. Infrared wall sensor IS 360-1 DE, for indoors and out, ideal for installing in projecting roofs and suspended ceilings, 360° angle of coverage, reach can be set up to 4 m, selectable time and twilight threshold, detection zone can be customised with shrouds.

Technical specifications

Dimensions (Ø x H)	78 x 89 mm	LED lamps > 2 W < 8 W	175 W
Manufacturer's Warranty	3 years	LED lamps > 8 W	350 W
Settings via	Potentiometers	Capacitive load in µF	132 µF
With remote control	No	Technology, sensors	passive infrared, Light sensor
Version	black	Mounting height	2,50 – 4,00 m
PU1, EAN	4007841032852	Mounting height max.	4,00 m
Type	Motion detectors	Optimum mounting height	2,5 m
Application, place	Outdoors, Indoors	Detection angle	360 °
Application, room	outdoors, front door, all round the building, terrace / balcony, Indoors	Angle of aperture	90 °
Colour	black	Sneak-by guard	Yes
Colour, RAL	9005	Capability of masking out individual segments	Yes
Includes corner wall mount	No	Electronic scalability	No
Installation site	ceiling	Mechanical scalability	No
Installation	In-ceiling installation, Ceiling	Reach, radial	Ø 4 m (13 m ²)
IP-rating	IP54	Reach, tangential	Ø 8 m (50 m ²)
Protection class	II	Switching zones	304 switching zones
Ambient temperature	-20 – 40 °C	Twilight setting	2 – 2000 lx

Motion detector

IS 360-1 DE

black
EAN 4007841 032852
Article number 032852



Technical specifications

Material	Plastic
Mains power supply	230 – 240 V / 50 – 60 Hz
Switching output 1, resistive	1000 W
Fluorescent lamps, electronic ballast	350 W
Fluorescent lamps, uncorrected	500 VA
Fluorescent lamps, series-corrected	500 VA
Fluorescent lamps, parallel-corrected	500 VA
Switching output 1, low-voltage halogen lamps	1000 VA
LED lamps < 2 W	100 W

Time setting	8 s – 35 Min.
Basic light level function	No
Main light adjustable	No
Twilight setting TEACH	No
Constant-lighting control	No
Interconnection	Yes
Type of interconnection	Master/master
Interconnection via	Cable

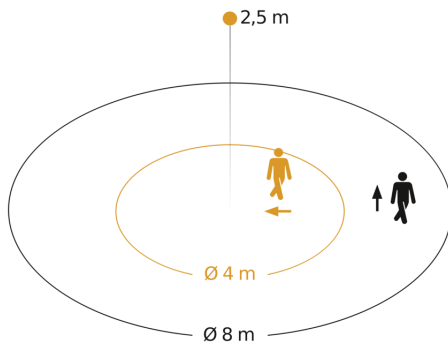
Motion detector

IS 360-1 DE

black
EAN 4007841 032852
Article number 032852

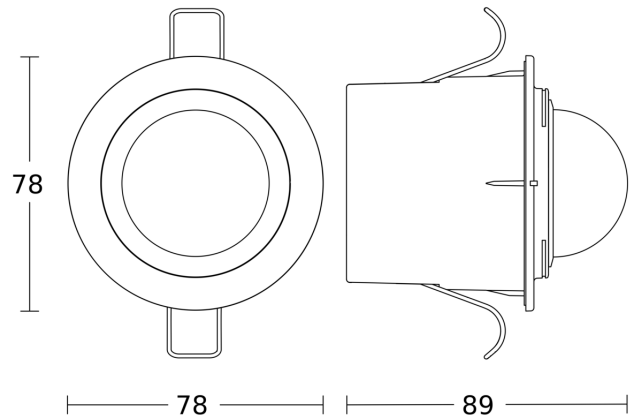


Detection Zone

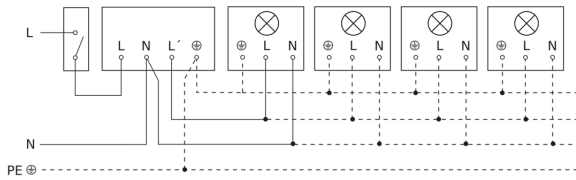


Possible mounting height: 2,50 m – 4,00 m
Orange: radial
Black: tangential

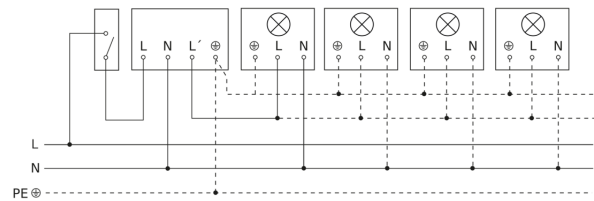
Dimension Drawing



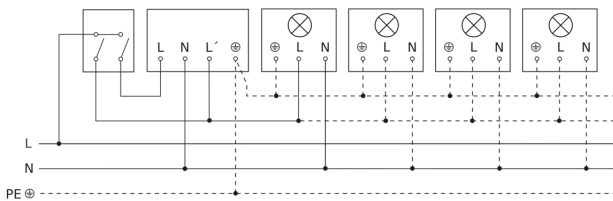
Light without neutral conductor



Light with neutral conductor



Connection using two-circuit switch for manual and automatic operation



Circuit diagram Connection via a changeover switch for continuous and automatic operation

