

LUXA 103-100 C DE WH

Item no.: 1030016

theben

Presence and motion detectors
Ceiling installation indoor

Description

- Motion detector (PIR)
- Automatic lighting control based on presence and brightness
- 1 channel
- Ceiling installation for suspended ceilings
- Mixed light measurement suitable for the control of fluorescent, incandescent and halogen lamps
- Zero-cross switching for relay-saving switching and high lamp loads
- Easy installation via two clamping brackets
- Large clamping area for quick installation
- Single-handed plug-in installation with captive screws
- Instant start-up possible via factory preset
- No unintentional adjustment due to covered up controls
- Adjustable brightness switching value and switch-off delay



Technical data

LUXA 103-100 C DE WH	
Operating voltage	230 V AC
Frequency	50 - 60 Hz
Stand-by consumption	~0.5 W
Light measurement	Mixed light measurement
Number of channels	1
Colour	White
Switching output	Light
Installation type	Ceiling installation, Indoor
Setting range brightness	10 lx - 2000 lx
Detection angle	360°
Installation height	2 - 3 m
Light switch-off delay	5 s - 30 min
Incandescent/halogen lamp load	2000 W

LUXA 103-100 C DE WH	
Fluorescent lamp load (conventional) parallel-corrected	900 VA 100 µF
LED lamp < 2 W	35 W
LED lamp 2-8 W	400 W
LED lamp > 8 W	400 W
Lamp types	Incandescent/halogen lamps, fluorescent lamps, Energy saving lamps, LEDs
Detection range	50 m ² (ø 8 m 360°)
Detection range	Round, Round
Ambient temperature	0°C ... 45°C
Impact resistance	IK03
Protection class	II
Type of protection	IP 44

Subject to technical changes and misprints

additional information at: www.theben.de/product/1030016

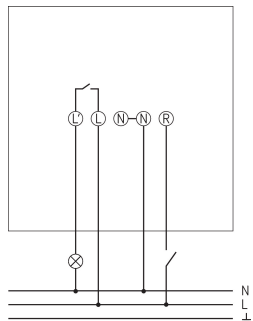
The load data are determined with exemplary selected illuminants and are therefore typical data due to the large number of available products.

LUXA 103-100 C DE WH

Item no.: 1030016

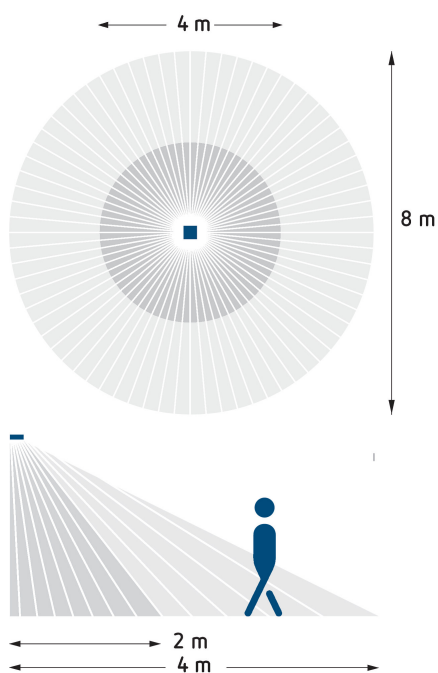


Connection example



Detection range for planning applications at a temperature of 21 °C

Mounting height (A)	Diagonally (t)	Head on to (R)
2.5 m	8 m	4 m



Subject to technical changes and misprints

additional information at: www.theben.de/product/1030016

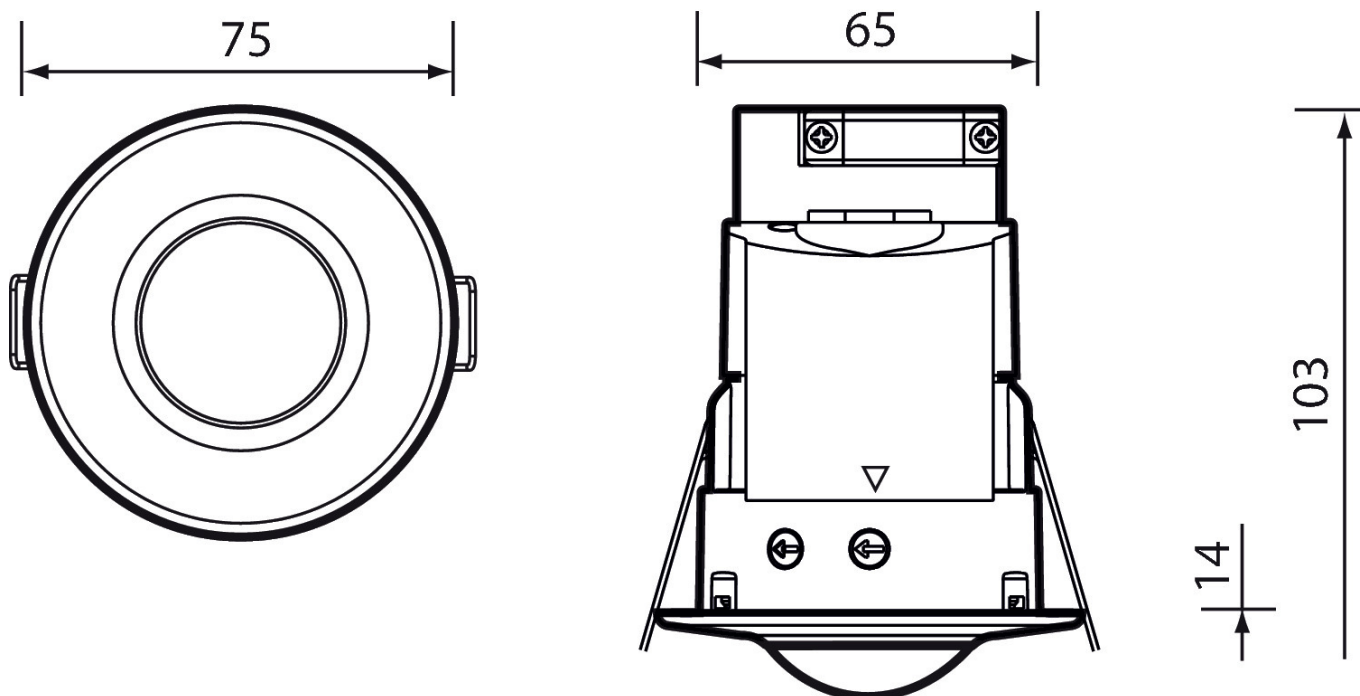
The load data are determined with exemplary selected illuminants and are therefore typical data due to the large number of available products.

LUXA 103-100 C DE WH

Item no.: 1030016

theben

Scale drawings



Subject to technical changes and misprints

additional information at: www.theben.de/product/1030016

The load data are determined with exemplary selected illuminants and are therefore typical data due to the large number of available products.