

LUJA POLE BASES



Lujabetoni

1. LAMP POST BASES

The pole is mounted to the base using adjuster bolts. Rubber protectors are listed on page 5.

BASE TYPE	ELECTRICAL PRODUCT CODE	POLE DIAMETER, mm	POLE HEIGHT, m	h mm	h1 mm	h2 mm	h3 mm	D1 mm	D2 mm	D3 mm	D4 mm	D5 mm	ADJUSTER BOLTS M16 pcs	DT ³	DL ³	WEIGHT, kg	qty/pallet
RBJ - 2B	4607215	100 - 143	1 - 4	700	430	40	50	310	260	155	142	96	3	0.1	0.06	78	12
RBJ - 2.5B	4607224	100 - 143	1 - 5	915	450	50	40	370	260	155	143	109	3	0.24	0.17	105	6
RBJ - 3B	4607233	100 - 143	1 - 6	950	505	60	60	500	300	158	155	101	3	0.34	0.21	169	5
RJB - 4B	4607245	100 - 143	4 - 8	1300	510	70	65	490	304	158	154	94	3	0.87	0.67	273	4
RBJ - 4B 4	4607202	100 - 143	4 - 8	1300	510	70	65	490	304	158	154	94	4	0.85	0.67	273	4
RBJ - 4.5B	4607257	128 - 168	6 - 10	1250	600	100	60	600	330	188	180	127	4	0.91	0.61	314	4
RBJ - 4.8B	4607278	128 - 168	8 - 11	1500	600	100	60	650	330	188	177	130	4	1.65	1.1	490	2
RBJ - 5B	4607266	150 - 224	8 - 12	1500	660	165	70	600	420	240	228	102	4	1.72	1.35	500	4
RBJ - 5B 6	4607204	150 - 224	8 - 12	1500	660	165	70	600	420	240	228	102	6	1.72	1.35	500	4
RBJ - 6B	4607287	150 - 224	8 - 15	1800	680	110	65	650	435	255	250	137	6	3.16	2.67	780	2
RBJ - 6/2200B	4607563	150 - 224	8 - 15	2200	680	110	65	800	435	255	250	137	6	6.58	5.08	1100	1
RBJ - 6.3B	4607210	215 - 278	10 - 15	1710	695	140	65	810	490	310	290	133	6	3.25	2.64	1000	1
RBJ - 6.5B	4607201	215 - 278	10 - 18	2000	695	140	65	810	490	310	290	133	8	5.2	4.44	1250	1



2. BASES WITH STEEL COLLARS

The pole is mounted to the base using adjuster bolts. Rubber protectors are listed on page 5.

BASE TYPE	ELECTRICAL PRODUCT CODE	POLE DIAMETER, mm	POLE HEIGHT, m	h mm	h1 mm	h2 mm	h3 mm	D1 mm	D2 mm	D3 mm	D4 mm	D5 mm	ADJUSTER BOLTS M16 pcs	DT ³	DL ³	WEIGHT, kg	qty/pallet
RBJ - 3 RST	4607207	100 - 143	1 - 6	950	505	60	60	500	300	158	155	101	3	0.34	0.21	169	5
RBJ - 4 RST	4607208	100 - 143	4 - 8	1300	510	70	65	490	304	158	154	94	3	0.87	0.67	273	4

3. BASES FOR LIGHT MASTS

The pole is mounted to the base using adjuster bolts. Final mounting of the pole requires grouting, see page 6.

BASE TYPE	ELECTRICAL PRODUCT CODE	POLE DIAMETER, mm	POLE HEIGHT, m	h mm	h1 mm	h2 mm	h3 mm	D1 mm	D2 mm	D3 mm	D4 mm	D5 mm	ADJUSTER BOLTS M16 pcs	DT ³	DL ³	WEIGHT, kg
RBJ - 7C	4607323	250 - 360	10 - 15	2000	920	180	70	600	600	382	380	95	8	4.8	4.12	1080
RBJ - 7/2400C	4607326	250 - 360	15 - 20	2400	920	180	70	600	600	382	380	95	8	8.3	7.3	1350

4. BASES WITH PLATES

The pole is mounted to the base using adjuster bolts. * Final mounting of the pole requires grouting, see page 6.

BASE TYPE	ELECTRICAL PRODUCT CODE	POLE DIAMETER, mm	POLE HEIGHT, m	h mm	h1 mm	h2 mm	h3 mm	h4 mm	D1 mm	D2 mm	D3 mm	D4 mm	D5 mm	ADJUSTER BOLTS M16 pcs	WEIGHT, kg
RBJ - 6L	4607308	150 - 224	10 - 15	1290	660	165	70	250	plate 1800 x 1800	420	240	228	102	6	2175
RBJ - 6.5L	4607211	215 - 278	10 - 18	1450	695	140	65	250	plate 1800x1800	500	310	290	133	8	2380
RBJ - 7L *	4607329	250 - 360	15 - 20	1600	920	180	70	250	plate 1800 x 1800	600	382	380	95	8	2500

5. BASES FOR TRAFFIC SIGNS, GUIDE MAPS, OUTDOOR LIGHTS AND CAR HEATING POLES

The pole is mounted to the base using a plastic locking ring.

BASE TYPE	ELECTRICAL PRODUCT CODE	POLE DIAMETER, mm	POLE HEIGHT, m	h mm	h1 mm	D1 mm	D2 mm	D3 mm	WEIGHT, kg	qty/pallet
RBJ - A1	4607200	38 - 50, 60,3	1 - 3	480	430	210	142	82	21	40
RBJ - A2	4607203	38 - 50, 60,3	1 - 3	680	630	210	142	82	29	30
RBJ - A3	4607206	38 - 50, 60,3	1 - 5	900	630	250	142	82	53	15
RBJ - 2A	4607212	114	1 - 4	700	470 - 510	310	262	156	78	12
RBJ - 2.8D	4607528	88.9	1 - 5	915	510	370	260	130	115	6
RBJ - 4A	4607242	114	4 - 8	1300	500 - 550	490	304	158	273	4
RBJ - 4F	4607252	88.9	4 - 8	1300	500 - 550	490	302	129	292	4

Plastic locking rings and rubber protectors for bases RBJ - 2A, 2.8D, 4A and 4F are listed on page 5.

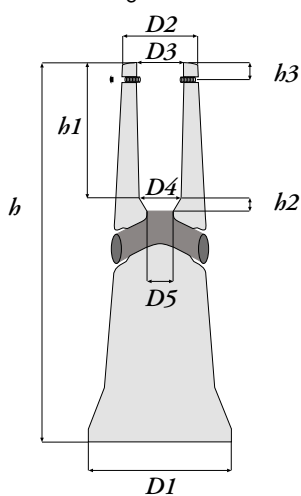
6. LAMP POST BASES

The pole is mounted to the base using wooden wedges.

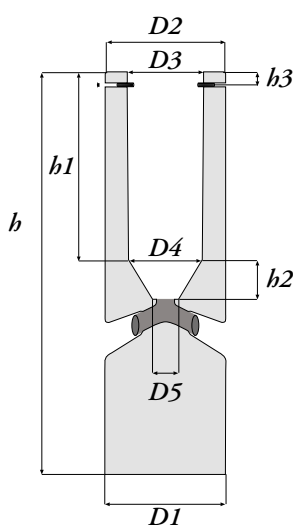
BASE TYPE	ELECTRICAL PRODUCT CODE	POLE DIAMETER, mm	POLE HEIGHT, m	h mm	h1 mm	h2 mm	h3 mm	D1 mm	D2 mm	D3 mm	D4 mm	D5 mm	DT ³	DL ³	WEIGHT, kg	qty/pallet
RBJ - 2A	4607212	100 - 143	1 - 4	700	430	40	50	310	260	155	142	96	0.1	0.06	78	12
RBJ - 2.5A	4607221	100 - 143	1 - 5	915	450	50	40	370	260	155	143	109	0.24	0.17	105	6
RBJ - 3A	4607230	100 - 143	1 - 6	950	505	60	60	500	300	158	155	101	0.34	0.21	169	5
RJB - 4A	4607242	100 - 143	4 - 8	1300	510	70	65	490	304	158	154	94	0.87	0.67	273	4
RBJ - 4.5A	4607254	128 - 168	6 - 10	1250	600	100	60	600	330	188	180	127	0.91	0.61	314	4
RBJ - 5A	4607263	150 - 224	8 - 12	1500	660	165	70	600	420	240	228	102	1.72	1.35	500	4

Wooden wedge sets and rubber protectors are listed on page 5.

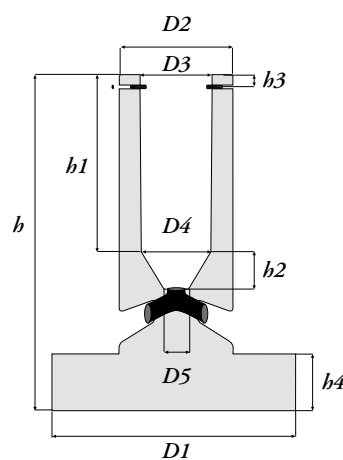
1. 2. 6. BASE FOR LAMP POLES mounting using adjuster bolts, bases with steel collars and mounting with wooden wedges



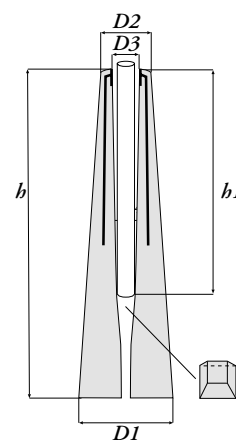
3. LIGHT MAST BASE mounting using adjuster bolts



4. BASE WITH PLATE mounting using adjuster bolts



5. TRAFFIC SIGN BASE plastic locking ring



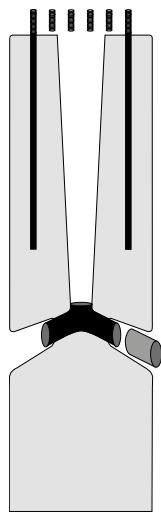
Dimensional tolerances:

- height ± 15 mm

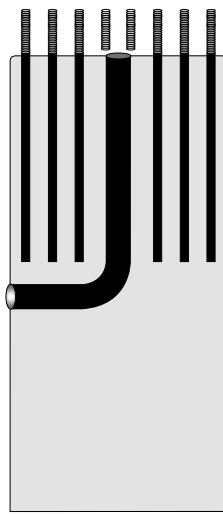
- other dimensions ± 5 mm

We reserve the right to make changes to the technical details.

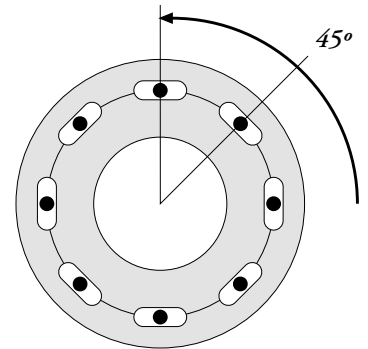
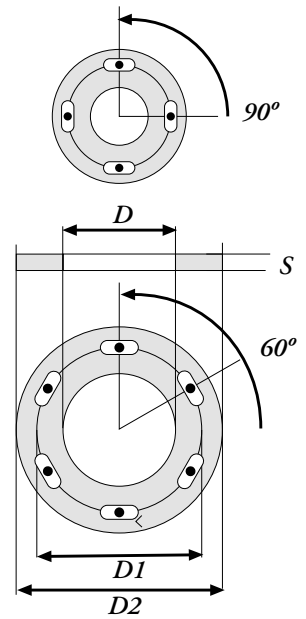
POLE BASES FOR FLANGED POLES



RBJ - 7/flange 1 - 7



RBJ - 9/flange 8 or 9



The bases are also available with plates; the standard plate size is 1800 x 1800 x 250 mm.

TYPE	RBJ-7/flange	RBJ-9/flange
FLANGE	1, 2, 3, 4, 5, 6 or 7	8 or 9
BASE LENGTH, mm	2000 or 2400	2000 or 2500
BASE WEIGHT, kg	1130 or 1430	3400 or 4250
BASE DIAMETER, mm	600	950

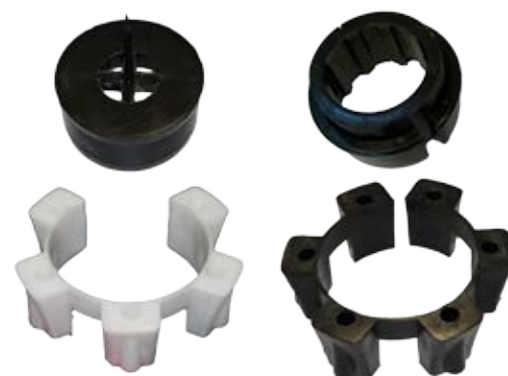
FLANGE	1	2	3	4	5	6	7	8	9
ELECTRICAL PRODUCT CODE	4607571	4607572	4607573	4607574	4607575	4607576	4607577	4607578	4607579
D1	200	250	325	325	400	450	500	550	650
D2	260	325	420	420	500	560	620	700	800
S	20	25	25	32	40	40	40	40	50
SCREW	M16	M20	M24	M24	M24	M30	M30	M36	M36
K	90°	90°	90°	90°	60°	60°	45°	45°	45°
D	108	140	168	219	273	323	323	323	323



RUBBER PROTECTORS

TYPE	ELECTRICAL PRODUCT CODE	POLE DIAMETER, mm	FOR BASES
88.9 mm	4607594	88.9	RBJ - 2.8D, RBJ - 4F
235/95K	4607383	100 - 110	RBJ - 2 - RBJ - 4.8
235/103K	4607386	111 - 120	RBJ - 2 - RBJ - 4.8
235/113K	4607389	121 - 134	RBJ - 2 - RBJ - 4.8
235/126K	4607392	135 - 143	RBJ - 2 - RBJ - 4.8
235/145K	4607395	150 - 168	RBJ - 4.5 - RBJ - 4.8
360/149K	4607216	155 - 175	RBJ - 5 - RBJ - 6
360/170K	4607403	176 - 195	RBJ - 5 - RBJ - 6
360/187K	4607405	193 - 209	RBJ - 5 - RBJ - 6
360/204K	4607407	210 - 224	RBJ - 5 - RBJ - 6.5
360/204K	4607407	210 - 224	RBJ - 5 - RBJ - 6.5
430/230K	4607205	238 - 253	RBJ - 6.3 - RBJ - 6.5
430/250K	4607214	254 - 273	RBJ - 6.3 - RBJ - 6.5

The rubber protectors are made of a TP elastomer with excellent weather resistance.



PLASTIC LOCKING RINGS

TYPE	ELECTRICAL PRODUCT CODE	FOR BASES
for 38-50 mm poles	4607332	RBJ - A1, A2 and A3
for 60.3 mm poles	4607335	RBJ - A1, A2 and A3
for 88.9 mm poles	4607593	RBJ - 2.8D and 4F
for 114 mm poles	4607338	RBJ - 2A, 2.5A, 3A and 4A



WOODEN WEDGES

TYPE	ELECTRICAL PRODUCT CODE	IN SET, pcs	FOR BASES
for 30-50 mm poles	4607341	3	RBJ - A1, A2 and A3
for 100-143 mm poles	4607344	4	RBJ - 2A, 2.5A, 3A and 4A
for 150-224 mm poles	4607347	4	RBJ - 4.5A and 5A

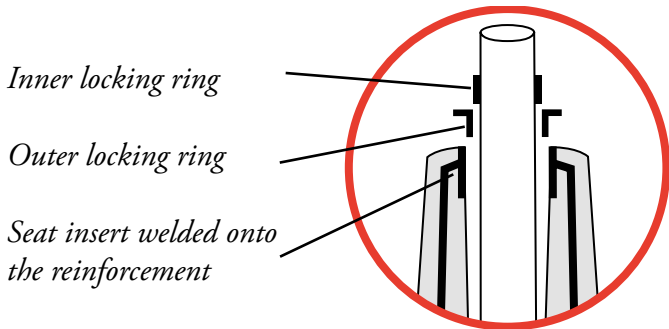


INSTALLATION INSTRUCTIONS

POLE MOUNTED WITH PLASTIC LOCKING RING

BASES RBJ - A1, A2 AND A3

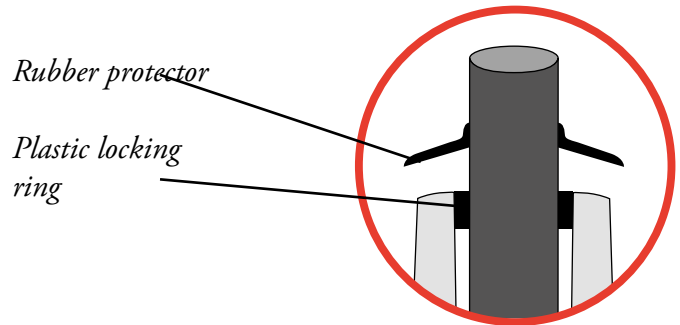
1. Thread the plastic locking rings onto the pole.
2. Slam the pole into the base and it will lock into the rectangular bottom.
3. Push the locking rings between the base and pole.



POLE MOUNTED WITH PLASTIC LOCKING RING

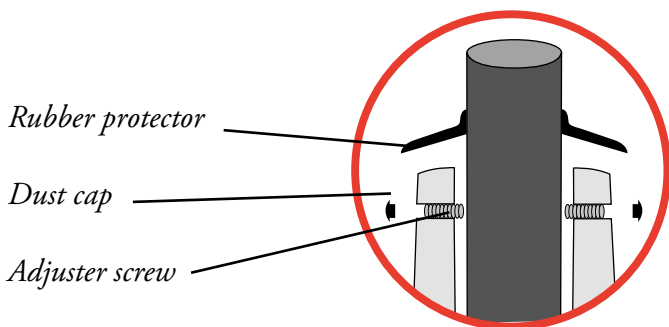
BASES RBJ - 2.8D, 4F, 2.5A, 3A AND 4A

1. Thread the rubber protector onto the pole.
2. Thread the plastic locking rings onto the pole.
3. Lower the pole into the base (as deep as it will go).
4. Push the locking ring between the base and pole.
5. Lower the rubber protector to rest against the base.



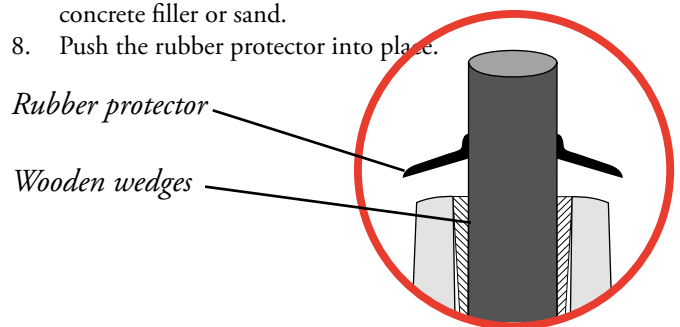
POLE MOUNTING WITH ADJUSTER BOLTS

1. Thread the rubber protector onto the pole.
2. Lower the pole into the base (as deep as it will go).
3. Remove the plastic dust caps from the adjuster screws on the base, e.g. with the tip of a screwdriver.
4. Make sure the pole is straight.
5. Tighten the adjuster screws with an 8 mm Allen key. Do not tighten too much so that the pole will not dent.
6. Replace the dust caps of the screws.
7. Push the rubber protector into place.



POLE MOUNTING WITH WOODEN WEDGES

1. Thread the rubber protector onto the pole.
2. Lower the pole into the base (as deep as it will go).
3. Make sure the pole is straight.
4. Drive the wooden wedges between the pole and base from opposite sides.
5. Cut off the part of the wedge that protrudes above the base.
6. The service life of the durable wood of the wedges is approximately 25 years.
7. For poles that will be in use for a longer period, we recommend filling the gaps between the wedges with concrete filler or sand.
8. Push the rubber protector into place.



FOR LIGHT MAST BASES RBJ - 7C AND RBJ - 7/2400C

Straighten the mast with the adjuster bolts and immediately fill the gap between the mast and base with concrete filler. The mast must not be left to rest on the bolts alone.

FOUNDATIONS, LOCATION AND HEIGHT OF THE BASE

The filling around the base must be packed in 0.5 m layers by tamping with a wooden pole or similar tool attached to an excavator bucket, or in 0.3 m layers using a vibrating plate.

The bases are mounted upright, in the location and at the height specified in the planning documents. Before the mounting of the pole, the location of the base must be verified through control measurements during mounting work.

For road lighting, the bases must be installed at a height of 50-150 mm from ground level. The installation height of bases for flexible poles is 50-100 mm. *InfraRYL 2006: General quality requirements for infrastructure construction. (in Finnish) Part 2: Systems and supplementary components. (in Finnish)*

LUJABETONI POLE BASES

Lujabetoni has been producing pole bases since 1991. In the design of the bases, particular attention has been paid to the adjustability of the pole, strength of the upper part of the base, and the shape of the cable entry slot.

TECHNICAL SPECIFICATIONS

- Base concrete K40 XF4
- Reinforcement B500K and A500HW
- Adjuster parts stainless steel
- Steel collars stainless steel
- Cable entry slots plastic Ø 110 mm
- The rubber protectors are made of a TP elastomer with excellent weather resistance.
- The 10-metre safety pole of Tehomet Oy has been impact-tested with an RBJ - 5B 6 base and the 12-metre HE safety pole with an RBJ - 6B base.



Our systems have been certified in three areas: the quality management system according to standard SFS-EN ISO 9001:2008, environmental management system according to standard SFS EN ISO 14001:2004 and occupational health and safety management system according to standard OHSAS 18001:2007.



ORGANISATION
CERTIFIED BY
Inspecta
ISO 9001
ISO 14001
OHSAS 18001

Lujabetoni



Lujabetoni Oy
Valkeiskyläntie 66
74200 VIEREMÄ, FINLAND
Tel. +358 20 7895 670
E-mail: firstname.lastname@luja.fi

ORGANISATION
CERTIFIED BY
Inspecta

ISO 9001
ISO 14001
OHSAS 18001



Lujabetoni

www.lujabetoni.fi