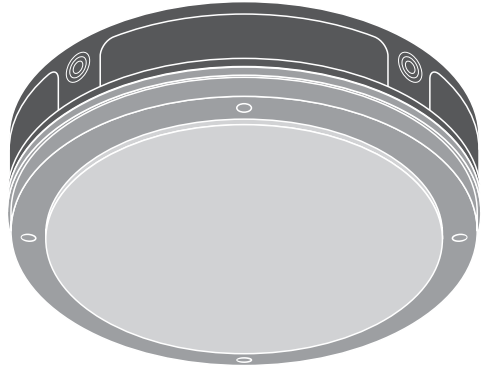
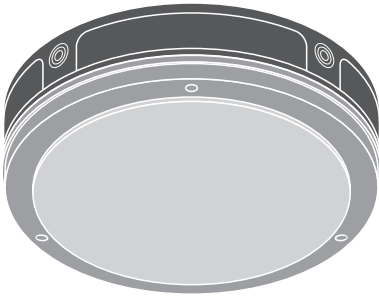
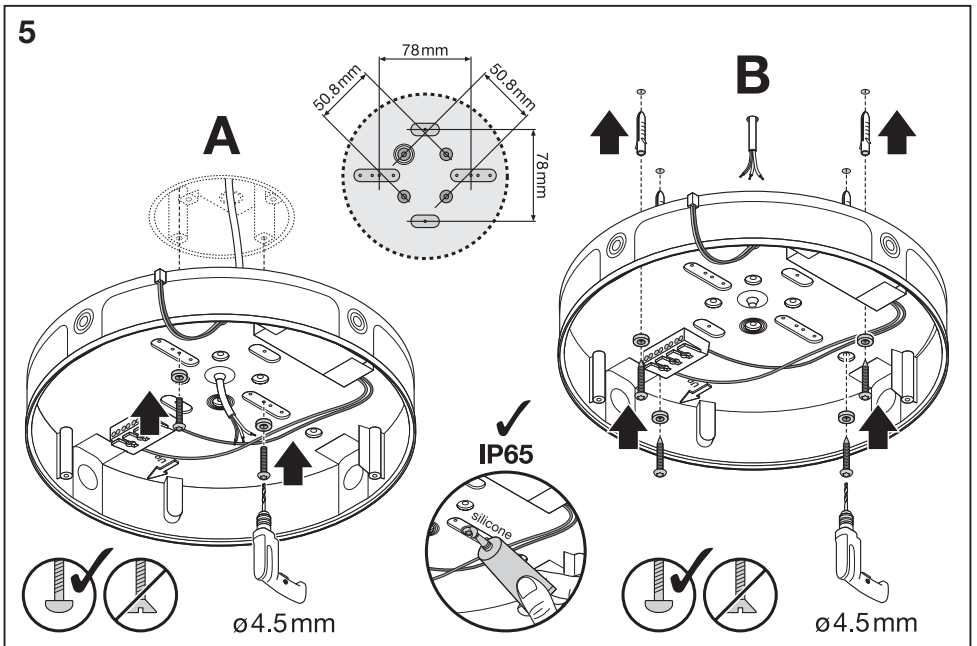
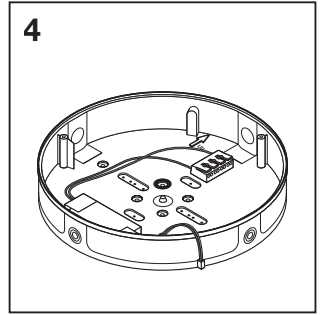
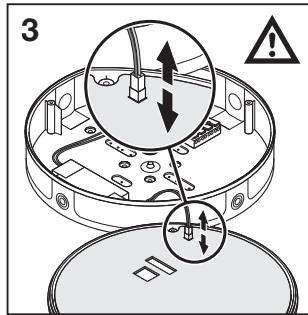
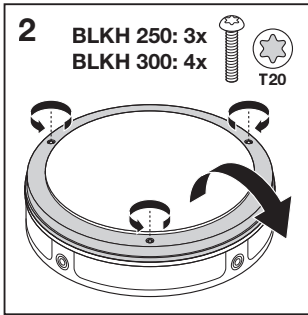
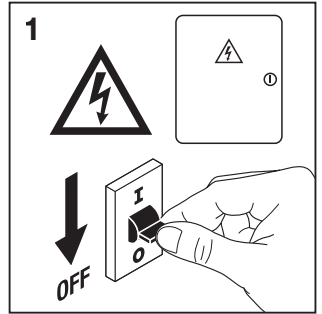
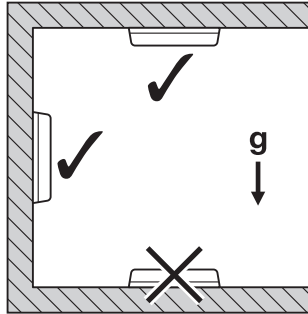
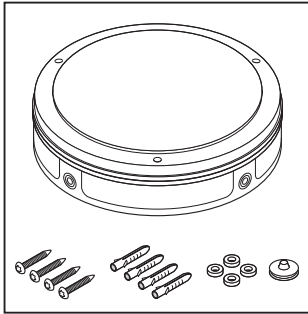


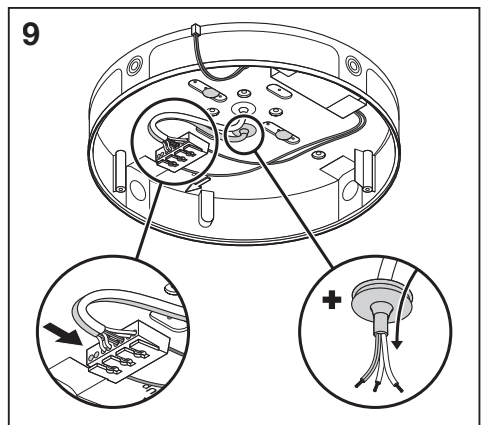
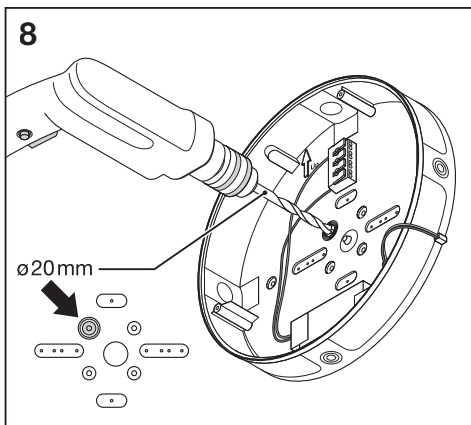
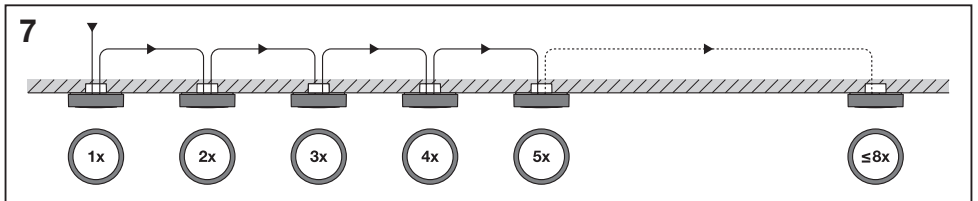
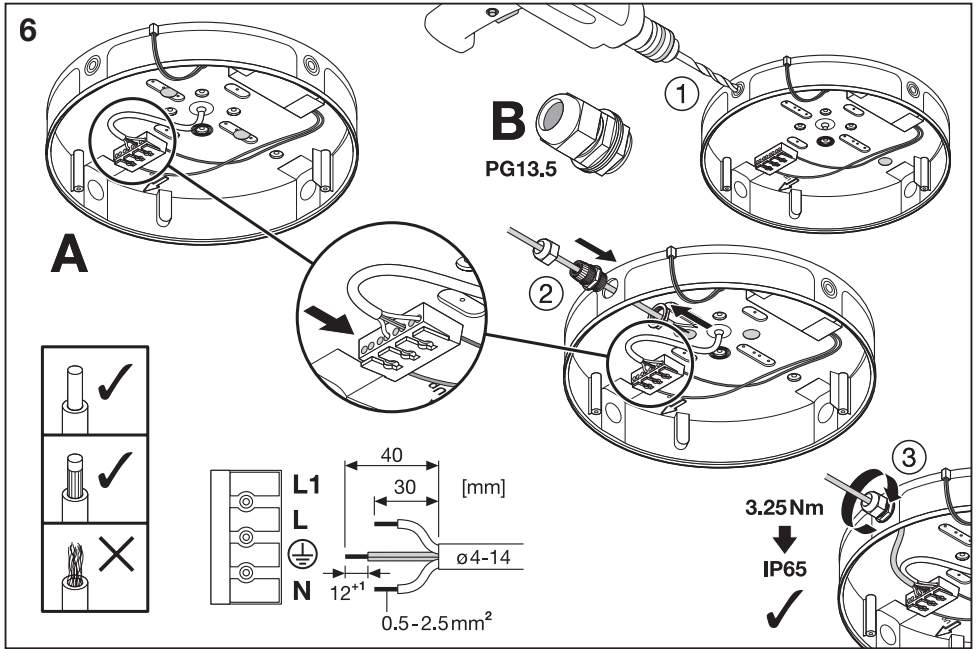
SURFACE BULKHEAD

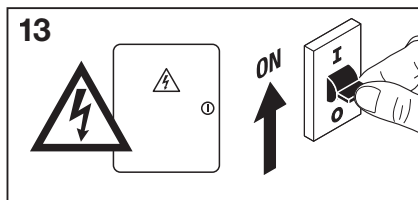
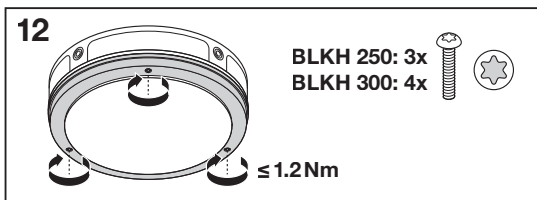
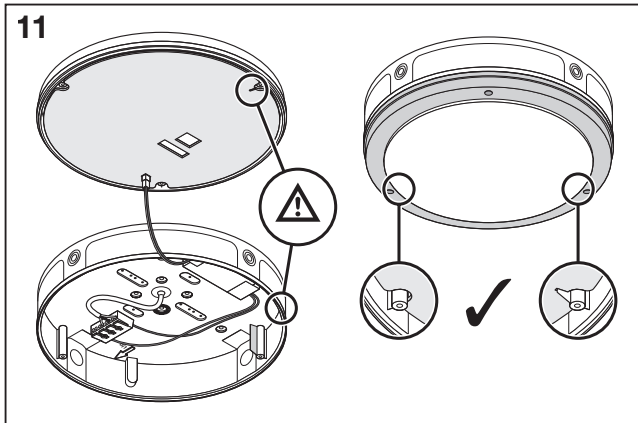
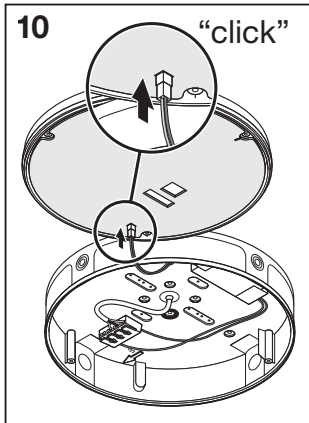


	EAN	Ø x h [mm]	W	W _R	V _{AC}	Hz	lm	lm/W	K
SF BLKH 250 10W/3000K WT IP65	4058075374843	258 x 70	10	8	220-240V	50/60 Hz	800	80	3000
SF BLKH 250 10W/4000K WT IP65	4058075374867	258 x 70	10	8	220-240V	50/60 Hz	800	80	4000
SF BLKH 250 10W/3000K BK IP65	4058075374881	258 x 70	10	8	220-240V	50/60 Hz	800	80	3000
SF BLKH 250 10W/4000K BK IP65	4058075374904	258 x 70	10	8	220-240V	50/60 Hz	800	80	4000
SF BLKH 300 15W/3000K WT IP65	4058075375161	308 x 70	15	12	220-240V	50/60 Hz	1400	95	3000
SF BLKH 300 15W/4000K WT IP65	4058075375185	308 x 70	15	12	220-240V	50/60 Hz	1400	95	4000
SF BLKH 300 15W/3000K BK IP65	4058075375208	308 x 70	15	12	220-240V	50/60 Hz	1400	95	3000
SF BLKH 300 15W/4000K BK IP65	4058075375222	308 x 70	15	12	220-240V	50/60 Hz	1400	95	4000

	EAN	IP	IK	∇	R _a	T _{amb} (°C)	PF	👤
SF BLKH 250 10W/3000K WT IP65	4058075374843	65	10	120°	> 80	-20...+40	≥ 0.5	0.5 kg
SF BLKH 250 10W/4000K WT IP65	4058075374867	65	10	120°	> 80	-20...+40	≥ 0.5	0.5 kg
SF BLKH 250 10W/3000K BK IP65	4058075374881	65	10	120°	> 80	-20...+40	≥ 0.5	0.5 kg
SF BLKH 250 10W/4000K BK IP65	4058075374904	65	10	120°	> 80	-20...+40	≥ 0.5	0.5 kg
SF BLKH 300 15W/3000K WT IP65	4058075375161	65	10	120°	> 80	-20...+40	≥ 0.5	0.7 kg
SF BLKH 300 15W/4000K WT IP65	4058075375185	65	10	120°	> 80	-20...+40	≥ 0.5	0.7 kg
SF BLKH 300 15W/3000K BK IP65	4058075375208	65	10	120°	> 80	-20...+40	≥ 0.5	0.7 kg
SF BLKH 300 15W/4000K BK IP65	4058075375222	65	10	120°	> 80	-20...+40	≥ 0.5	0.7 kg





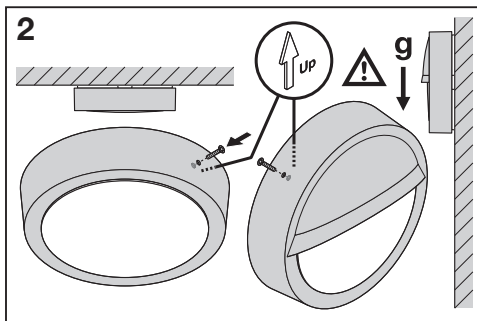
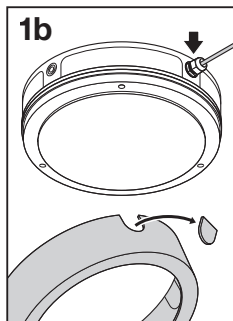
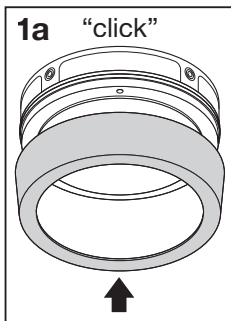


SURFACE BULKHEAD RING

	EAN	Ø x h [mm]	⊞
SF BLKH RING 250 WT	4058075399334	258x57	0.21kg
SF BLKH RING 250 BK	4058075399358	258x57	0.21kg
SF BLKH RING 300 WT	4058075399372	308x57	0.28kg
SF BLKH RING 300 BK	4058075399396	308x57	0.28kg

SURFACE BULKHEAD EYELID

	EAN	Ø x h [mm]	⊞
SF BLKH EYELID 250 WT	4058075375482	258 x 64	0.21 kg
SF BLKH EYELID 250 BK	4058075375505	258 x 64	0.21 kg
SF BLKH EYELID 300 WT	4058075375529	308 x 65	0.28 kg
SF BLKH EYELID 300 BK	4058075375543	308 x 65	0.28 kg



RoHS



C10449058
G11080430
20.09.19



LEDVANCE GmbH
Steinerne Furt 62
86167 Augsburg, Germany
www.ledvance.com