

EO-CF/UT/LED/GN - Socket



0804027

<https://www.phoenixcontact.com/it/products/0804027>

Please be informed that the data shown in this PDF document is generated from our online catalog. Please find the complete data in the user documentation. Our general terms of use for downloads are valid.



Socket, LED display, Pin connector pattern type CF, connection method: Screw connection, color: green, nom. voltage: 250 V AC (50 Hz), nominal current: 16 A, for mounting on a DIN rail in the service interface or direct mounting, standards/specifications: VDE 0620-1, Country marking: Germany

Commercial data

Item number	0804027
Packing unit	5 pc
Minimum order quantity	5 pc
Sales key	BE7
Product key	BE7611
Catalog page	Page 562 (C-3-2019)
GTIN	4055626225692
Weight per piece (including packing)	76.83 g
Weight per piece (excluding packing)	74.82 g
Customs tariff number	85366990
Country of origin	PL

Technical data

Notes

Notes on operation	This socket is not designed for applications with high loads (HL), such as chargers for electric vehicles and large radiant heaters.
--------------------	--

Product properties

Product type	Socket
Country ID	Germany

Connection data

Screw thread	M3
Tightening torque	0.5 ... 0.6 Nm
Stripping length	8 mm
Internal cylindrical gage	A3 B3
Conductor cross section rigid	0.2 mm ² ... 4 mm ²
Cross section AWG	24 ... 12 (converted acc. to IEC)
Conductor cross section flexible	0.25 mm ² ... 2.5 mm ²
Conductor cross section, flexible [AWG]	24 ... 14 (converted acc. to IEC)
Conductor cross-section flexible (ferrule without plastic sleeve)	0.25 mm ² ... 2.5 mm ²
Flexible conductor cross section (ferrule with plastic sleeve)	0.25 mm ² ... 2.5 mm ²
Conductor cross-section flexible (2 conductors with the same cross-section, with TWIN ferrule and plastic sleeve)	0.2 mm ² ... 4 mm ²
Nominal current	16 A
Nominal voltage	250 V AC (50 Hz)

Signaling

Status display	yes
----------------	-----

Dimensions

Width	45 mm
Height	75 mm
Depth	62.1 mm
Depth on NS 35/7,5	63 mm
Depth on NS 35/15	70.5 mm
Hole diameter	4.4 mm

Material specifications

Color	green (RAL 6021)
Flammability rating according to UL 94	V0
Insulating material	PA
Contact material	CuZn38
Static insulating material application in cold	-60 °C

0804027

<https://www.phoenixcontact.com/it/products/0804027>

Relative insulation material temperature index (Elec., UL 746 B)	130 °C
Fire protection for rail vehicles (DIN EN 45545-2) R22	HL 1 - HL 3
Fire protection for rail vehicles (DIN EN 45545-2) R23	HL 1 - HL 3
Fire protection for rail vehicles (DIN EN 45545-2) R24	HL 1 - HL 3
Fire protection for rail vehicles (DIN EN 45545-2) R26	HL 1 - HL 3
Surface flammability NFPA 130 (ASTM E 162)	passed
Specific optical density of smoke NFPA 130 (ASTM E 662)	passed
Smoke gas toxicity NFPA 130 (SMP 800C)	passed

Connector

Type of plug	Pin connector pattern type CF
--------------	-------------------------------

Environmental and real-life conditions

Ambient conditions

Degree of protection	IP20
Ambient temperature (operation)	-5 °C ... 40 °C (Average value over a period of 24 hours not above +35°C)
Ambient temperature (storage/transport)	-25 °C ... 60 °C (for a short time, not exceeding 24 h, -60 °C to +70 °C)
Permissible humidity (storage/transport)	30 % ... 70 %

Standards and regulations

Standards

Standards/regulations	VDE 0620-1
-----------------------	------------

Mounting

Mounting type	for mounting on a DIN rail in the service interface or direct mounting
---------------	--

EO-CF/UT/LED/GN - Socket

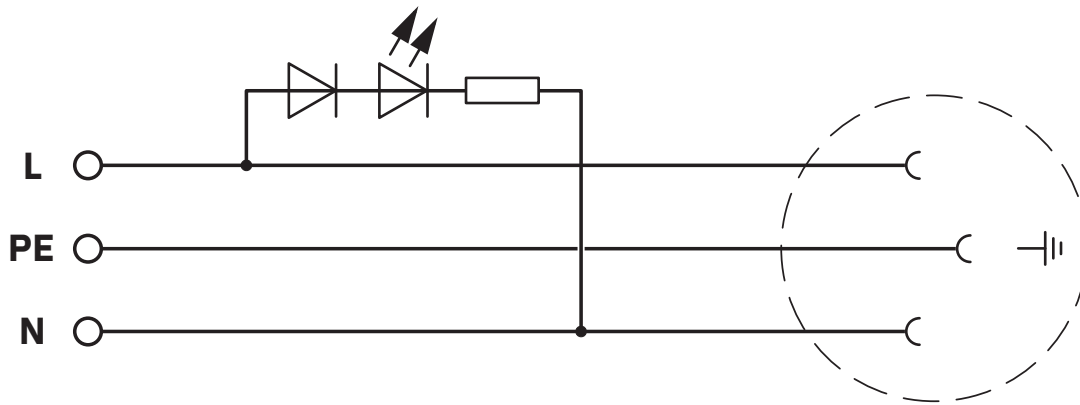
0804027

<https://www.phoenixcontact.com/it/products/0804027>



Drawings

Circuit diagram



EO-CF/UT/LED/GN - Socket





0804027

<https://www.phoenixcontact.com/it/products/0804027>

Approvals

To download certificates, visit the product detail page: <https://www.phoenixcontact.com/it/products/0804027>

 VDE Zeichengenehmigung Approval ID: 40047711				
	Nominal voltage U_N	Nominal current I_N	Cross section AWG	Cross section mm^2
	250 V	16 A	-	-

 EAC-RoHS Approval ID: RU D-DE.HB49.B.00025	
--	--

 EAC Approval ID: EACKZ 08593	
--	--

EO-CF/UT/LED/GN - Socket



0804027

<https://www.phoenixcontact.com/it/products/0804027>

Classifications

ECLASS

ECLASS-11.0	27142305
ECLASS-12.0	27142305
ECLASS-13.0	27142305

ETIM

ETIM 9.0	EC001663
----------	----------

UNSPSC

UNSPSC 21.0	39121400
-------------	----------

0804027

<https://www.phoenixcontact.com/it/products/0804027>

Environmental product compliance

EU RoHS

Fulfills EU RoHS substance requirements	Yes
Exemption	7(a), 7(c)-I

China RoHS

Environment friendly use period (EFUP)	EFUP-50
	An article-related China RoHS declaration table can be found in the download area for the respective article under "Manufacturer declaration". For all articles with EFUP-E, no China RoHS declaration table issued and required.

EU REACH SVHC

REACH candidate substance (CAS No.)	Lead(CAS: 7439-92-1)
SCIP	66520f4f-febc-4d9a-835f-4aa7f8ea128e

0804027

<https://www.phoenixcontact.com/it/products/0804027>

Accessories

UC-TMF 16 - Marker for terminal blocks

0819262

<https://www.phoenixcontact.com/it/products/0819262>



Marker for terminal blocks, Sheet, white, unlabeled, can be labeled with: BLUEMARK ID COLOR, BLUEMARK ID, BLUEMARK CLED, PLOTMARK, CMS-P1-PLOTTER, mounting type: latching, for terminal block width: 16 mm, Number of individual labels: 32, text field height: 5.1 mm, text field width: 15.45 mm

ZBF 16:UNPRINTED - Zack Marker strip, flat

0827464

<https://www.phoenixcontact.com/it/products/0827464>



Zack Marker strip, flat, Strip, white, unlabeled, can be labeled with: PLOTMARK, CMS-P1-PLOTTER, mounting type: latching, for terminal block width: 16 mm, Number of individual labels: 50, text field height: 10.5 mm, text field width: 16.25 mm

EO-CF/UT/LED/GN - Socket

0804027

<https://www.phoenixcontact.com/it/products/0804027>



EO-SI-FRAME - Adapter plate

0804522

<https://www.phoenixcontact.com/it/products/0804522>

Adapter plate



SI-M1A - Mounting frame

1404493

<https://www.phoenixcontact.com/it/products/1404493>

Mounting frame for one front plate/socket, plastic frame: black, plastic cover: transparent, closed with 3 mm two-way key bit and rotary knob, included.



EO-CF/UT/LED/GN - Socket

0804027

<https://www.phoenixcontact.com/it/products/0804027>



SI-M1B - Mounting frame

1404494

<https://www.phoenixcontact.com/it/products/1404494>

Mounting frame for two front plates/sockets, plastic frame: black, plastic cover: transparent, closed with 3 mm two-way key bit and rotary knob, included.



SI-M1A-GL - Mounting frame

1407592

<https://www.phoenixcontact.com/it/products/1407592>

Mounting frame for one front plate/socket, plastic frame: black, plastic cover: gray, closed with 3 mm two-way key bit and rotary knob, included.



EO-CF/UT/LED/GN - Socket

0804027

<https://www.phoenixcontact.com/it/products/0804027>



SI-M1B-GL - Mounting frame

1407593

<https://www.phoenixcontact.com/it/products/1407593>

Mounting frame for two front plates/sockets, plastic frame: black, plastic cover: gray, closed with 3 mm two-way key bit and rotary knob, included.



SI-M1A-ML - Mounting frame

1407588

<https://www.phoenixcontact.com/it/products/1407588>

Mounting frame for one front plate/socket, plastic frame: black, plastic cover: metallic, closed with 3 mm two-way key bit and rotary knob, included.



EO-CF/UT/LED/GN - Socket

0804027

<https://www.phoenixcontact.com/it/products/0804027>



SI-M1B-ML - Mounting frame

1407589

<https://www.phoenixcontact.com/it/products/1407589>

Mounting frame for two front plates/sockets, plastic frame: black, plastic cover: metallic, closed with 3 mm two-way key bit and rotary knob, included.



VS-SI-EB-EMV-1 - Mounting frame

1656482

<https://www.phoenixcontact.com/it/products/1656482>

Mounting frame, for one front plate or socket, metal frame, matt nickel-plated, electrically conductive, transparent cover



EO-CF/UT/LED/GN - Socket

0804027

<https://www.phoenixcontact.com/lt/products/0804027>



VS-SI-EB-EMV-2 - Mounting frame

1656495

<https://www.phoenixcontact.com/lt/products/1656495>

Mounting frame, for two front plates or sockets, metal frame, matt nickel-plated, electrically conductive, transparent cover



SZF 1-0,6X3,5 - Screwdriver

1204517

<https://www.phoenixcontact.com/lt/products/1204517>

Actuation tool, for ST terminal blocks, also suitable for use as a bladed screwdriver, size: 0.6 x 3.5 x 100 mm, 2-component grip, with non-slip grip



Phoenix Contact 2024 © - all rights reserved
<https://www.phoenixcontact.com>

Phoenix Contact UAB
Svitrigailos str. 11B
03228 Vilnius
+370 5 2106321
balticinfo@phoenixcontact.com