

# theLeda S20 BK

Item no.: 1020924

theben

LED spotlights  
LED light with motion detector

## Description

- LED spotlight with motion detector
- 2 LED spot with 10 W each (equivalent to 2x140 W Halogen spotlight)
- Spotlights can be swivelled  $\pm 20^\circ$  horizontally, and adjusted  $70^\circ$  downwards
- Suitable for outdoor use
- Automatic lighting control based on presence and brightness
- $180^\circ$  detection angle at a detection range of 10 m
- Area limit via lens attachment
- Orientation light with configurable dimming level
- Short and extended function via manual control system
- Integrated heat sink in housing color
- Direct-LED for maximum light output
- High-tech matrix-LED module
- Single-handed plug-in installation
- Instant start-up possible via factory preset
- Adjustable lux value and switch-off delay
- Settings can be changed without tools



## Technical data

theLeda S20 BK	
Operating voltage	230 V AC
Frequency	50 - 60 Hz
Stand-by consumption	~0.4 W
Colour	Black
Installation type	Wall installation, Outdoor
LED output (lighting current)	2 x 840 lm
Colour temperature	4000 K, neutral white
Setting range brightness	5 lx - 200 lx
Detection angle	$180^\circ$

theLeda S20 BK	
Installation height	1.8 - 2.5 m
Light switch-off delay	2 s - 30 min
Detection range	Semicircular, Semicircular
Ambient temperature	$-20^\circ\text{C} \dots 45^\circ\text{C}$
Protection class	I
Type of protection	IP 55
Predecessor	1020974, LUXA 102-140 LED 16W BK

Subject to technical changes and misprints

additional information at: [www.theben.de/product/1020924](http://www.theben.de/product/1020924)

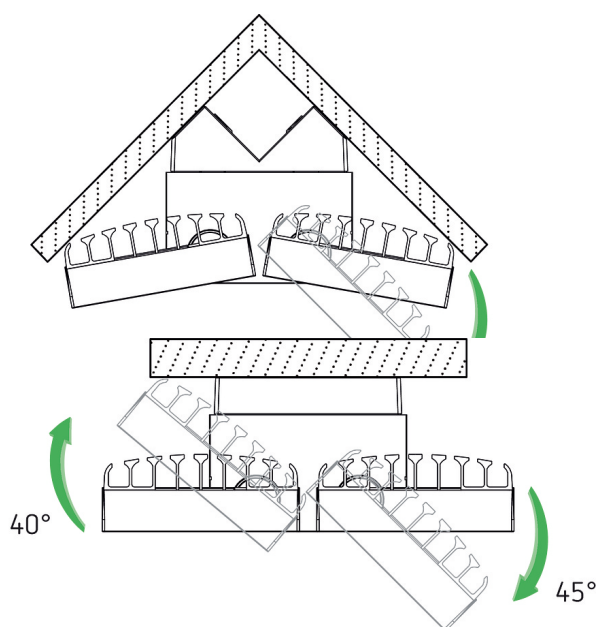
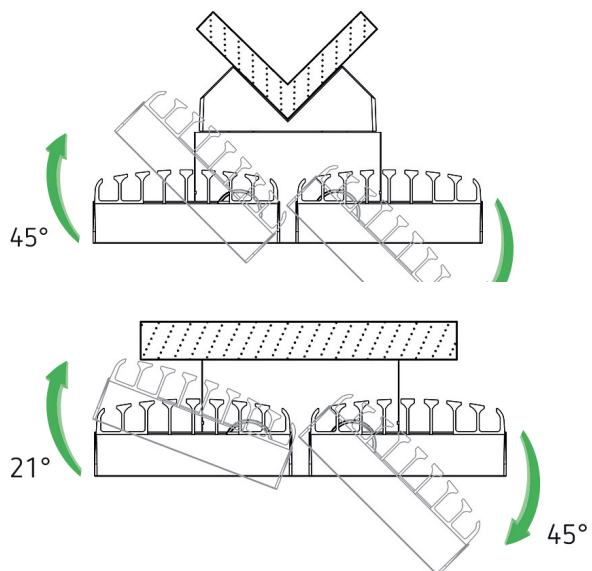
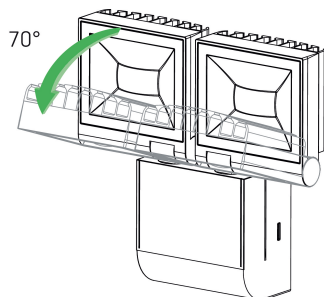
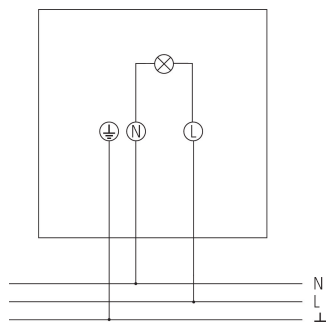
The load data are determined with exemplary selected illuminants and are therefore typical data due to the large number of available products.

# theLeda S20 BK

Item no.: 1020924



## Connection example



## Detection range for planning applications at a temperature of 21 °C

Mounting height (A)	Diagonally (t)	Head on to (R)
2.5 m	10 m	3.5 m

Subject to technical changes and misprints

additional information at: [www.theben.de/product/1020924](http://www.theben.de/product/1020924)

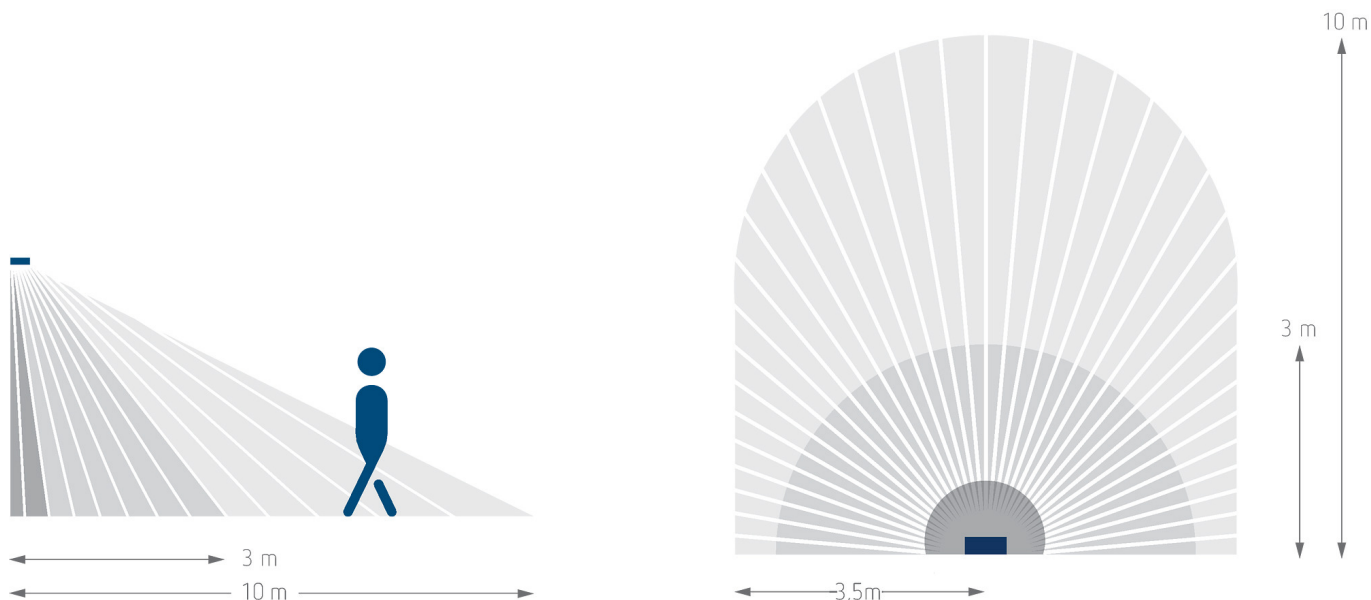
The load data are determined with exemplary selected illuminants and are therefore typical data due to the large number of available products.

# theLeda S20 BK

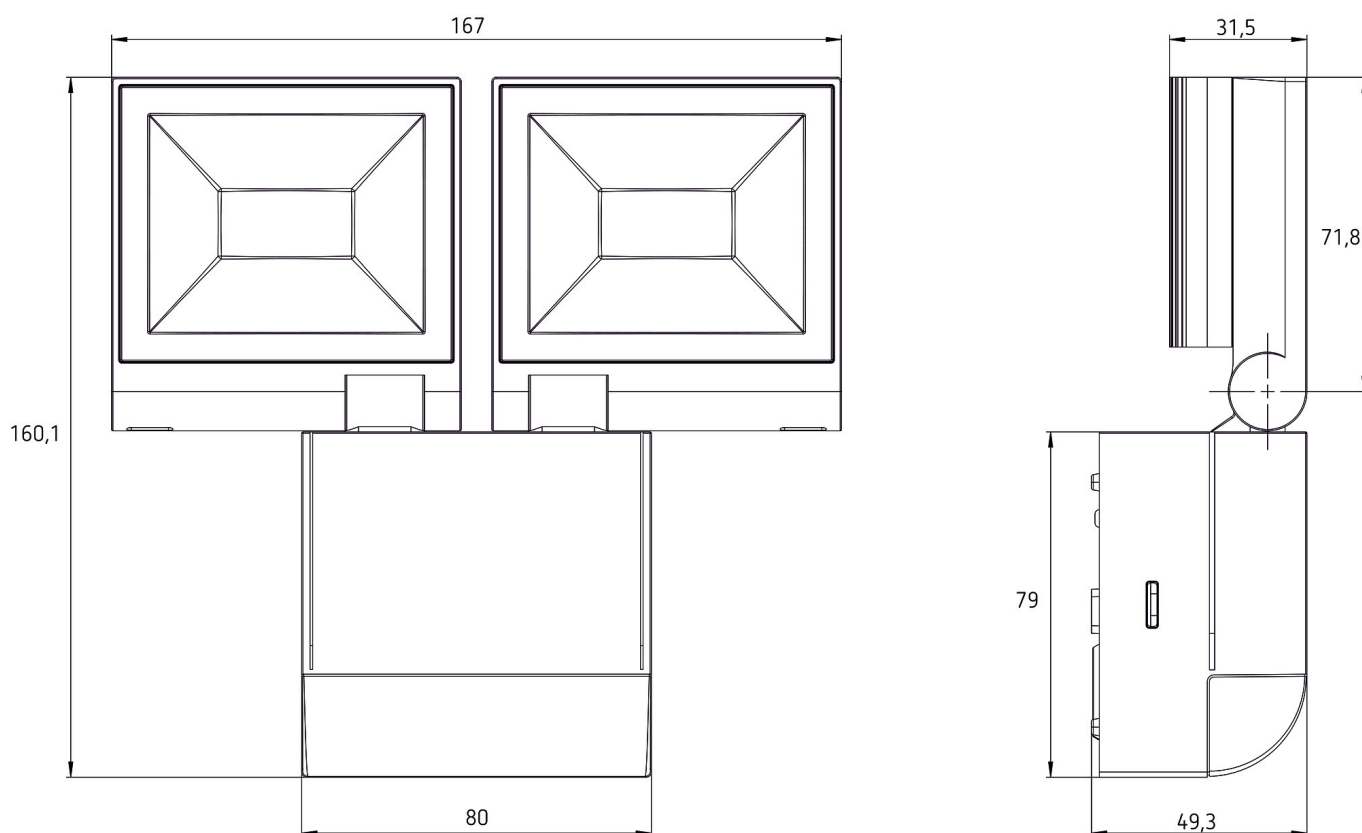
Item no.: 1020924



Detection range for planning applications at a temperature of 21 °C



## Scale drawings



Subject to technical changes and misprints

additional information at: [www.theben.de/product/1020924](http://www.theben.de/product/1020924)

The load data are determined with exemplary selected illuminants and are therefore typical data due to the large number of available products.

# theLeda S20 BK

Item no.: 1020924

**theben**

## Accessories

---

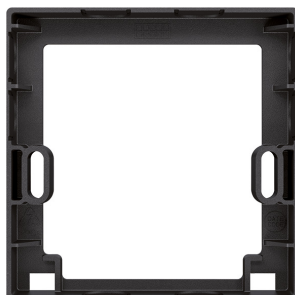
### Corner angle 10 BK

Item no.: 9070987



### Spacer 10 BK

Item no.: 9070988



Subject to technical changes and misprints

additional information at: [www.theben.de/product/1020924](http://www.theben.de/product/1020924)

The load data are determined with exemplary selected illuminants and are therefore typical data due to the large number of available products.