



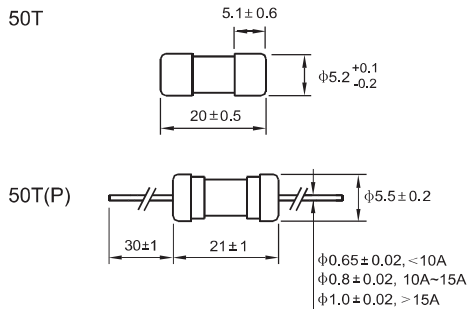
Φ 5.2x20mm IEC STANDARD FUSE RoHS Compliant & Pb-Free
LOW-BREAKING CAPACITY GLASS
TUBE FUSE (TIME-LAG)
低分断能力玻璃保险丝管 (慢断型)

INTERRUPTING CAPACITY/ 分断能力:

35A OR 10In 250V AC WHICHEVER IS GREATER

Dimensions/ 尺寸:

Unit 单位: mm



Standards/ 标准: IEC 60127 GB 9364

Operating Temperature/ 工作温度: -55°C ~125°C

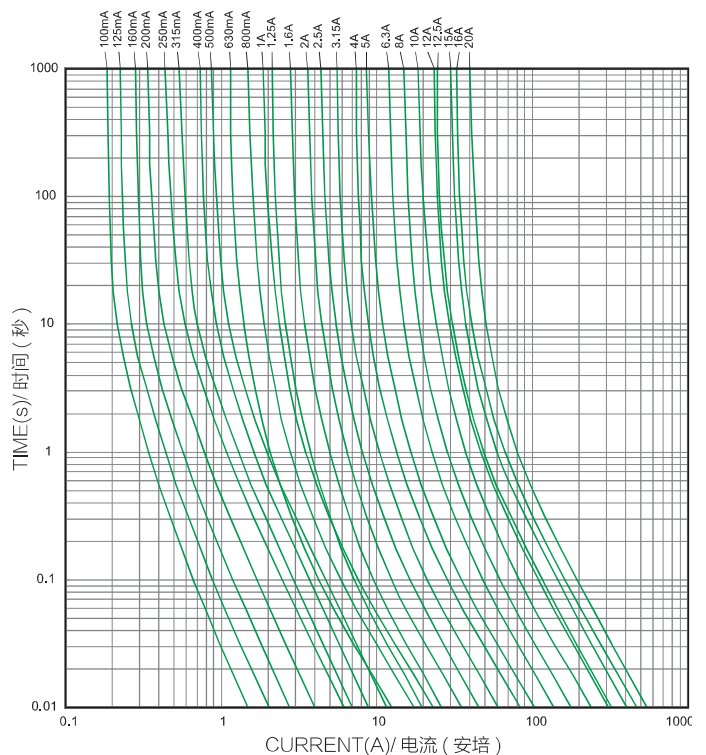
Storing Temperature/ 储存温度: -55°C ~85°C

Resistance to soldering heat/ 耐焊接热性: 260°C, 10s Max

Solderability/ 可焊性: 245°C ± 5°C, 5s ± 0.5s

**50T AVERAGE I-T CHARACTERISTICS CURVE
(FOR REFERENCE ONLY)**

50T 平均 I-T 曲线图 (仅供参考)



TECHNICAL PARAMETERS/ 技术参数:

CATALOG NO. 目录编号	CURRENT RATING 额定电流	MAX. VOLTAGE DROP 最大电压降 (mv)	SAFETY APPROVALS 安全认证											REFERENCE (A,Sec.) (RoHS) FT 参考值		
			CCC	CQC	SEMKO	VDE	BSI	IMQ	UR (cUR)	CSA	PSE	KC				
50T-0100H	100mA	2500	●													0.0223
50T-0125H	125mA	2000	●	●	●	●	●	●	●	●	●	●	●	●	●	0.0417
50T-0160H	160mA	1900	●	●	●	●	●	●	●	●	●	●	●	●	●	0.0767
50T-0200H	200mA	1500	●	●	●	●	●	●	●	●	●	●	●	●	●	0.1628
50T-0250H	250mA	1300	●	●	●	●	●	●	●	●	●	●	●	●	●	0.3808
50T-0315H	315mA	1100	●	●	●	●	●	●	●	●	●	●	●	●	●	0.4833
50T-0400H	400mA	1000	●	●	●	●	●	●	●	●	●	●	●	●	●	0.7968
50T-0500H	500mA	900	●	●	●	●	●	●	●	●	●	●	●	●	●	1.362
50T-0630H	630mA	300	●	●	●	●	●	●	●	●	●	●	●	●	●	1.583
50T-0800H	800mA	250	●	●	●	●	●	●	●	●	●	●	●	●	●	3.004
50T-010H	1A	150	●	●	●	●	●	●	●	●	●	●	●	●	●	5.309
50T-013H	1.25A	150	●	●	●	●	●	●	●	●	●	●	●	●	●	3.879
50T-016H	1.6A	150	●	●	●	●	●	●	●	●	●	●	●	●	●	6.890
50T-020H	2A	150	●	●	●	●	●	●	●	●	●	●	●	●	●	12.33
50T-025H	2.5A	120	●	●	●	●	●	●	●	●	●	●	●	●	●	20.63
50T-032H	3.15A	100	●	●	●	●	●	●	●	●	●	●	●	●	●	36.91
50T-040H	4A	100	●	●	●	●	●	●	●	●	●	●	●	●	●	70.56
50T-050H	5A	100	●	●	●	●	●	●	●	●	●	●	●	●	●	108.7
50T-063H	6.3A	100	●	●	●	●	●	●	●	●	●	●	●	●	●	187.8
50T-080H	8A	100	●	●	●	●	●	●	●	●	●	●	●	●	●	314.9
50T-100H	10A	100	●	●	●	●	●	●	●	●	●	●	●	●	●	583.4
50T-120H	12A	80	●	●	●	●	●	●	●	●	●	●	●	●	●	958.9
50T-125H	12.5A	80	●	●	●	●	●	●	●	●	●	●	●	●	●	1045
50T-150H	15A	80	●	●	●	●	●	●	●	●	●	●	●	●	●	1668
50T-160H	16A	80	●	●	●	●	●	●	●	●	●	●	●	●	●	2231
50T-200H	20A	80	●	●	●	●	●	●	●	●	●	●	●	●	●	3010

H DENOTES FOR 250V
● DENOTES FOR APPROVED

H 表示 250V
● 表示已取得安全认证

REMARK 备注:
50T(P)-160H WITHOUT VDE AND SEMKO APPROVAL
50T(P)-160H 产品无 VDE 和 SEMKO 认证

ELECTRICAL CHARACTERISTICS/ 电气特性:

RATING 额定		BLOWING TIME 熔断时间		
		100mA	125mA-10A	>10A
2.1In	Max. 最慢	2 minutes	2 minutes	5 minutes
	Min. 最快	200 ms	600 ms	600 ms
2.75In	Max. 最慢	10 seconds	10 seconds	15 seconds
	Min. 最快	40 ms	150 ms	150 ms
4In	Max. 最慢	3 seconds	3 seconds	5 seconds
	Min. 最快	10 ms	20 ms	20 ms
10In	Max. 最慢	300 ms	300 ms	400 ms