

Description



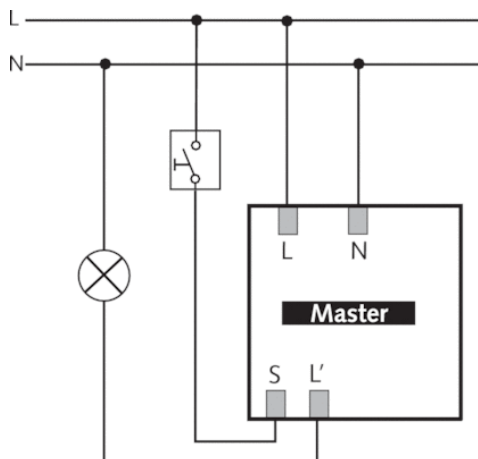
- Passive infrared presence detector for ceiling mounting
- Round detection area 360°, up to Ø 9 m (64 m²)
- Automatic presence- and brightness-dependent control for lighting
- Mixed light measurement suitable for fluorescent lamps (FL/PL/ESL), halogen/incandescent lamps and LEDs
- Channel A, light: relay, 230V
- Choice of fully or semi-automatic operation
- Adjustable brightness switching value, teach-in function
- Reduction of switch-off delay time in the event of short presence (brief-presence)
- Connection option for sensors or switches for manual switching with automatic recognition of sensor/switch
- Pulse function for staircase light time switch
- Switch-on delay and switch-off delay configurable
- Sensitivity adjustable
- Detection area can be limited using cover clip
- Ready for immediate use due to factory preset
- An optional remote control is required for changing the values and attitudes
- Test mode for checking function and detection area
- Ceiling installation in flush-mounted socket
- Ceiling installation also possible with surface-mounted frame
- User remote control theSenda S, service remote control theSenda P, management remote control SendoPro (optional)

Technical data

Operating voltage	110 – 230 V AC
Frequency	50 – 60 Hz
Installation height	2 – 4 m
Minimum height	> 1,7 m
Installation type	Ceiling installation
Colour	White
Switching output	Light
Power consumption	~0,1 W
Light measurement	Mixed light measurement
Setting range brightness	30 – 3000 lx
Lamps	Incandescent/halogen lamps, fluorescent lamps, Energy saving lamps, LEDs
Incandescent/halogen lamp load	2300 W
Compact and fluorescent lamps	1150 VA (cos φ = 0,5)
Inrush current	max. 800 A / 200 µs
LED lamp < 2 W	60 W
LED lamp 2-8 W	180 W
LED lamp > 8 W	200 W
Type of connection	Screw terminals
Max. cable cross section	max. 2 x 2,5 mm ²
Size of concealed housing	Ø 55 mm (NIS, PMI)
Detection range	50 m ² (Ø 8 m 360°)
Ambient temperature	-15 °C ... +50 °C
Type of protection	IP 54 (when fitted)

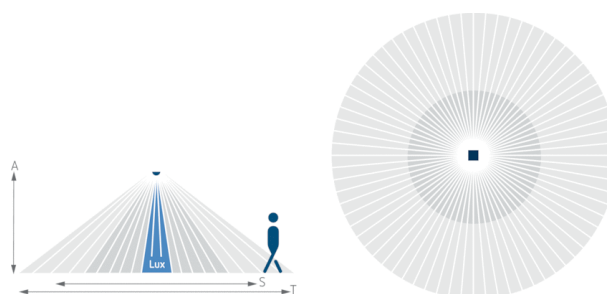
Article number: 2080520

Connection example

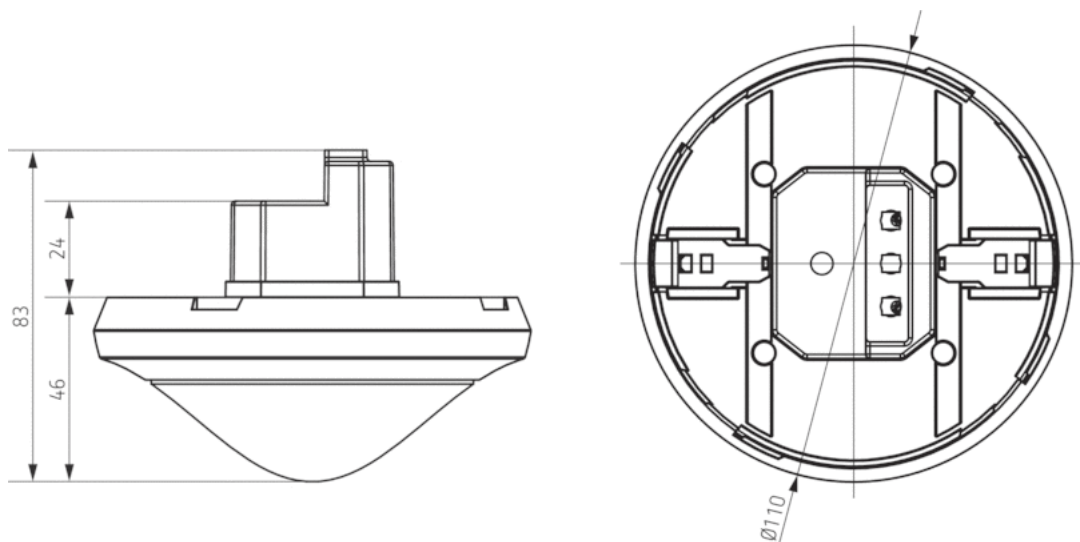


Detection range

Mounting height (A)	Sitting (S)	Walking (T)
2 m	5 m ² 2,5 m	38 m ² 7 m
2,5 m	7 m ² 3 m	38 m ² 7 m
3 m	13 m ² 4 m	50 m ² 8 m
3,5 m	–	50 m ² 8 m
4 m	–	64 m ² 9 m



Scale drawings



Accessories

Surface frame 110A WH

- Article number: 9070912
Details ▶ www.theben.de



SendoPro 868-A

- Article number: 9070675
Details ▶ www.theben.de



theSenda P

- Article number: 9070910
Details ▶ www.theben.de



Article number: 2080520

theSenda S

- Article number: 9070911
Details ▶ www.theben.de



Product selection

Installation type	Channel	Operating voltage	Colour	Type	Article number
Ceiling installation	Light	110 – 230 V AC	White	theRonda S360-100 UP WH	2080520
Ceiling installation	Light	110 – 230 V AC	Grey	theRonda S360-100 UP GR	2080521