

# Surface frame 110A WH

Item no.: 9070912

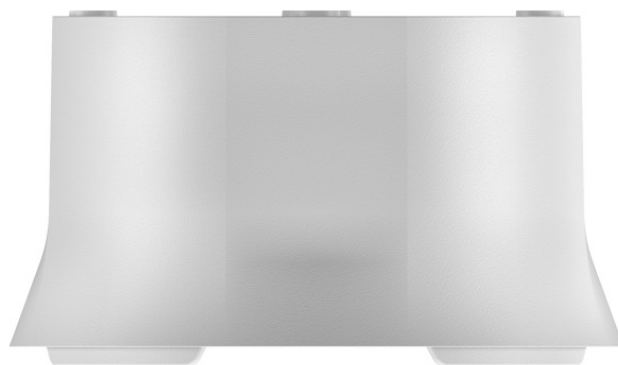
**theben**

## Accessories

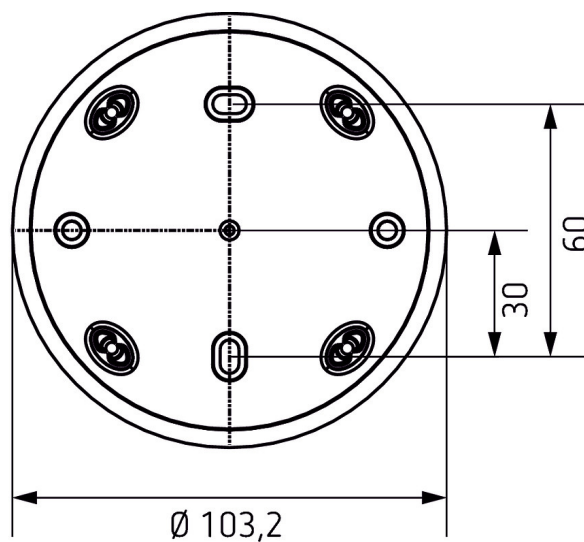
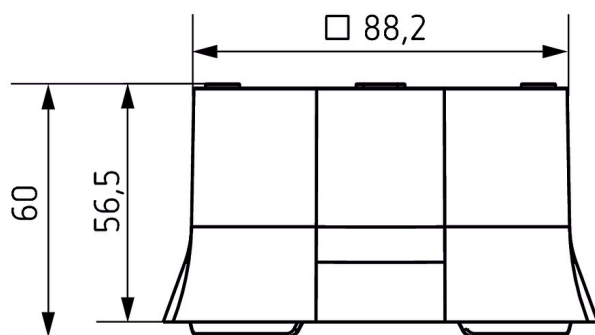
Presence detectors

## Description

- Presence detector surface frame
- Suitable for thePrema, theRonda, theMova P
- Colour: Pure white
- Additional colours available upon request



## Scale drawings



Subject to technical changes and misprints

additional information at: [www.theben.de/product/9070912](http://www.theben.de/product/9070912)

The load data are determined with exemplary selected illuminants and are therefore typical data due to the large number of available products.

05/01/2023

Page 1 of 1