



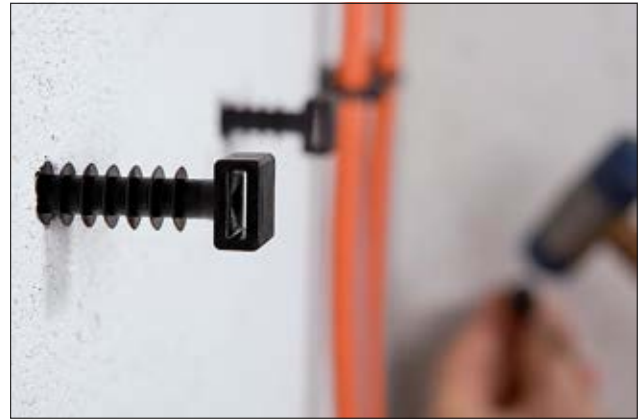
### Fixing base

#### LOK-Series

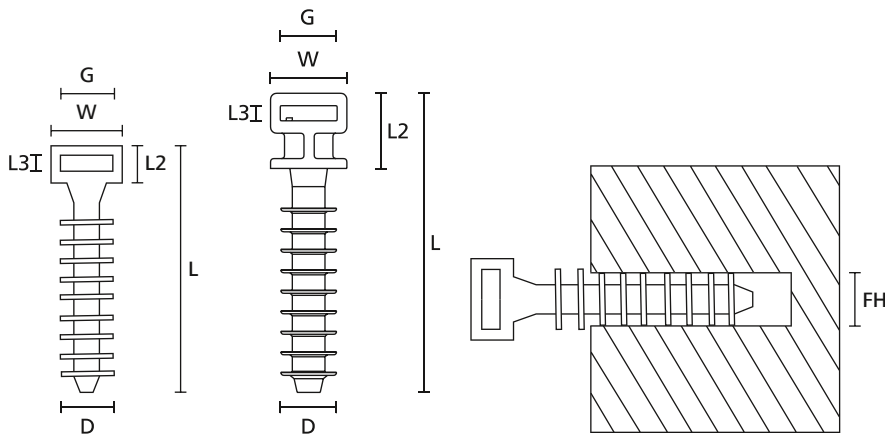
The LOK mounts, in conjunction with a cable tie, can be used either indoors or outdoors for a diverse range of applications from holding climbing plants, to securing cables running between buildings.

#### Features and benefits

- LOK01 – LOK05 usable with any cable ties up to 9 mm wide
- Suitable for a wide range of materials, including concrete, brick, block and wood
- Installed by knocking into 7 mm or 8 mm diameter hole
- LOK01B is designed for soft brickwork and 6 mm holes
- Elongated head of LOK05 for setting bundles at a distance from brickwork



LOK01 fixing bases for indoor and outdoor use.



LOK01 fixing base  
(front view)

LOK05 fixing base  
(front view)

LOK01 pushed into a wall bore hole

TYPE	Width (W)	Length (L)	Length (L2)	Length (L3)	Ø (D)	Strap Width max. (G)	Hole Ø (FH)	Material	Colour	Article-No.
LOK01B	12.0	30.0	6.5	2.5	7.2	9.0	6.0	PA6HIR	Black (BK)	151-80500
LOK01	12.0	44.0	6.5	2.5	9.2	9.0	7.0 - 8.0	PA11	Black (BK)	151-01277
	12.0	44.0	6.5	2.5	9.2	9.0	7.0 - 8.0	PA6HIR	Black (BK)	151-80110
LOK05	12.0	49.0	12.5	2.5	9.2	9.0	7.0 - 8.0	PA6HIR	Black (BK)	151-80700

All dimensions in mm. Subject to technical changes.



## Material Specification Overview

MATERIAL	Material Shortcut	Operating Temperature	Colour**	Flammability	Material Properties*	Material Specifications
Aluminium alloy	AL	-40 °C to +180 °C	Natural (NA)		<ul style="list-style-type: none"> <li>Corrosion resistant</li> <li>Antimagnetic</li> </ul>	RoHS
Chloroprene Rubber	CR	-20 °C to +80 °C	Black (BK)		<ul style="list-style-type: none"> <li>Weather resistant</li> <li>High yield strength</li> </ul>	RoHS
Ethylene Tetrafluoroethylene (Tefzel®)	E/TFE	-80 °C to +170 °C	Blue (BU)	UL 94 V0	<ul style="list-style-type: none"> <li>Resistance to radioactivity</li> <li>UV resistant, not moisture sensitive</li> <li>Good chemical resistance to acids, bases, oxidizing agents</li> </ul>	RoHS
Polyacetal	POM	-40 °C to +90 °C, (+110 °C, 500 h)	Natural (NA)	UL 94 HB	<ul style="list-style-type: none"> <li>Limited brittleness sensitivity</li> <li>Flexible at low temperature</li> <li>Not moisture sensitive</li> <li>Robust on impact</li> </ul>	RoHS
Polyamide 11	PA11	-40 °C to +85 °C, (+105 °C, 500 h)	Black (BK)	UL 94 HB	<ul style="list-style-type: none"> <li>Bio-plastic, derived from vegetable oil</li> <li>Strong impact resistance at low temperature</li> <li>Very low moisture absorption</li> <li>Weather resistant</li> <li>Good chemical resistance</li> </ul>	HF RoHS
Polyamide 12	PA12	-40 °C to +85 °C, (+105 °C, 500 h)	Black (BK)	UL 94 HB	<ul style="list-style-type: none"> <li>Good chemical resistance to acids, bases, oxidizing agents</li> <li>UV resistant</li> </ul>	HF RoHS
Polyamide 4.6	PA46	-40 °C to +130 °C, (+150 °C, 5000 h; +195 °C, 500 h)	Natural (NA), Grey (GY)	UL 94 V2	<ul style="list-style-type: none"> <li>Resistance to high temperatures</li> <li>Very moisture sensitive</li> <li>Low smoke sensitivity</li> </ul>	HF LFH RoHS
Polyamide 6	PA6	-40 °C to +80 °C	Black (BK)	UL 94 V2	<ul style="list-style-type: none"> <li>High yield strength</li> </ul>	RoHS
Polyamide 6, high impact modified	PA6HIR	-40 °C to +80 °C	Black (BK)	UL 94 HB	<ul style="list-style-type: none"> <li>Limited brittleness sensitivity</li> <li>Higher flexibility at low temperature</li> </ul>	RoHS
Polyamide 6.6	PA66	-40 °C to +85 °C, (+105 °C, 500 h)	Black (BK), Natural (NA)	UL 94 V2	<ul style="list-style-type: none"> <li>High yield strength</li> </ul>	HF RoHS
Polyamide 6.6, glass-fibre reinforced	PA66GF13	-40 °C to +105 °C	Black (BK)	UL 94 HB	<ul style="list-style-type: none"> <li>Good resistance to lubricants, fuels, salt water and solvents</li> </ul>	HF RoHS
Polyamide 6.6, heat and UV-stabilised	PA66HSUV	-40 °C to +105 °C	Black (BK)	UL 94 V2	<ul style="list-style-type: none"> <li>High yield strength</li> <li>Modified elevated maximum temperature</li> <li>UV resistant</li> </ul>	HF RoHS
Polyamide 6.6, heat stabilised	PA66HS	-40 °C to +105 °C	Black (BK), Natural (NA)	UL 94 V2	<ul style="list-style-type: none"> <li>High yield strength</li> <li>Modified elevated maximum temperature</li> </ul>	HF RoHS
Polyamide 6.6, high impact modified	PA66HIR	-40 °C to +80 °C, (+105 °C, 500 h)	Black (BK)	UL 94 HB	<ul style="list-style-type: none"> <li>Limited brittleness sensitivity</li> <li>Higher flexibility at low temperature</li> </ul>	RoHS
Polyamide 6.6, high impact modified, heat and UV-stabilised	PA66HIRHSUV	-40 °C to +110 °C	Black (BK)	UL 94 HB	<ul style="list-style-type: none"> <li>Limited brittleness sensitivity</li> <li>Higher flexibility at low temperature</li> <li>Modified elevated maximum temperature</li> <li>High yield strength, UV resistant</li> </ul>	RoHS
Polyamide 6.6, high impact modified, heat stabilised	PA66HIRHS	-40 °C to +105 °C	Black (BK)	UL 94 HB	<ul style="list-style-type: none"> <li>Limited brittleness sensitivity</li> <li>Higher flexibility at low temperature</li> <li>Modified elevated maximum temperature</li> </ul>	RoHS
Polyamide 6.6, high impact modified, scan black)	PA66HIR(S)	-40 °C to +80 °C, (+105 °C, 500 h)	Black (BK)	UL 94 HB	<ul style="list-style-type: none"> <li>Limited brittleness sensitivity</li> <li>Higher flexibility at low temperature</li> </ul>	RoHS
Polyamide 6.6, UV-resistant	PA66W	-40 °C to +85 °C, (+105 °C, 500 h)	Black (BK)	UL 94 V2	<ul style="list-style-type: none"> <li>High yield strength</li> <li>UV resistant</li> </ul>	HF RoHS

MATERIAL	Material Shortcut	Operating Temperature	Colour**	Flammability	Material Properties*	Material Specifications
<b>Polyamide 6.6,</b> with metal particles	PA66MP	-40 °C to +85 °C, (+105 °C, 500 h)	Blue (BU)	UL 94 HB	• High yield strength • Metal and X-Ray detectable	HF RoHS
<b>Polyamide 6.6,</b> with metal particles	PA66MP+	-40 °C to +85 °C	Blue (BU)	not flame retardant	• High yield strength • Metal and X-Ray detectable	HF RoHS
<b>Polyamide 6.6 V0</b>	PA66V0	-40 °C to +85 °C	White (WH)	UL 94 V0	• High yield strength • Low smoke emission	HF LFH RoHS
<b>Polyester</b>	SP	-50 °C to +150 °C	Black (BK)		• UV resistant • Good chemical resistance to most acids, bases and oils	HF LFH RoHS
<b>Polyetheretherketone</b>	PEEK	-55 °C to +240 °C	Beige (BGE)	UL 94 V0	• Resistance to radioactivity • Not moisture sensitive • Good chemical resistance to acids, bases, oxidising agents	HF LFH RoHS
<b>Polyethylene</b>	PE	-40 °C to +50 °C	Black (BK), Grey (GY)	UL 94 HB	• Low moisture absorption • Good chemical resistance to most acids, bases, alcohol, oils	HF RoHS
<b>Polyolefin</b>	PO	-40 °C to +90 °C	Black (BK)	UL 94 V0	• Low smoke emissions	HF LFH RoHS
<b>Polypropylene</b>	PP	-40 °C to +115 °C	Black (BK), Natural (NA)	UL 94 HB	• Floats in water • Moderate yield strength • Good chemical resistance to acids, bases and solvents	HF RoHS
<b>Polypropylene, Ethylene Propylene Diene Terpolymer</b> rubber free of Nitrosamine	PP, EPDM	-20 °C to +95 °C	Black (BK)	UL 94 HB	• Good resistance to high temperature • Good chemical and abrasion resistance	HF RoHS
<b>Polypropylene</b> with metal particles	PPMP	-40 °C to +115 °C	Blue (BU)	UL 94 HB	• Metal and X-Ray detectable • Heat resistant • Moderate yield strength • Good chemical resistance	RoHS
<b>Polypropylene</b> with metal particles	PPMP+	-40 °C to +85 °C	Blue (BU)	not flame retardant	• High yield strength • Metal and X-Ray detectable	HF RoHS
<b>Polyvinylchloride</b>	PVC	-10 °C to +70 °C	Black (BK), Natural (NA)	UL 94 V0	• Low moisture absorption • Good chemical resistance to acids, bases, salts, alcohol, oils	RoHS
<b>Stainless Steel, Stainless Steel</b>	SS304, SS316	-80 °C to +538 °C	Natural (NA)	non-burning	• Corrosion resistant • Antimagnetic • Weather resistant • Chemical resistance • SS316 also resistant against seawater, salt spray and anorganic acids	HF LFH RoHS
<b>Thermoplastic Polyurethane</b>	TPU	-40 °C to +85 °C	Black (BK)	UL 94 HB	• High elasticity • Good chemical resistance to acids, bases and oxidising agents	HF RoHS

Tefzel® is a registered trademark of DuPont. General linguistic usage for cable ties made from raw material E/TFE is Tefzel®-Tie. In addition to Tefzel® from DuPont HellermannTyton also uses equivalent E/TFE raw material from other suppliers.

\*\*Further colours available on request.

\*These details are only guide values. They should not be regarded as an exhaustive material specification and are no substitute for suitability tests. Please see our datasheets for further details.



**Minimum Loop Tensile Strength  
for Cable Ties (newton)**

HF = Halogenfree

LFH = Limited Fire Hazard

RoHS = Restriction of Hazardous Substances